

# Current Transformer

## CT 43 – Window

IEC 60044-1



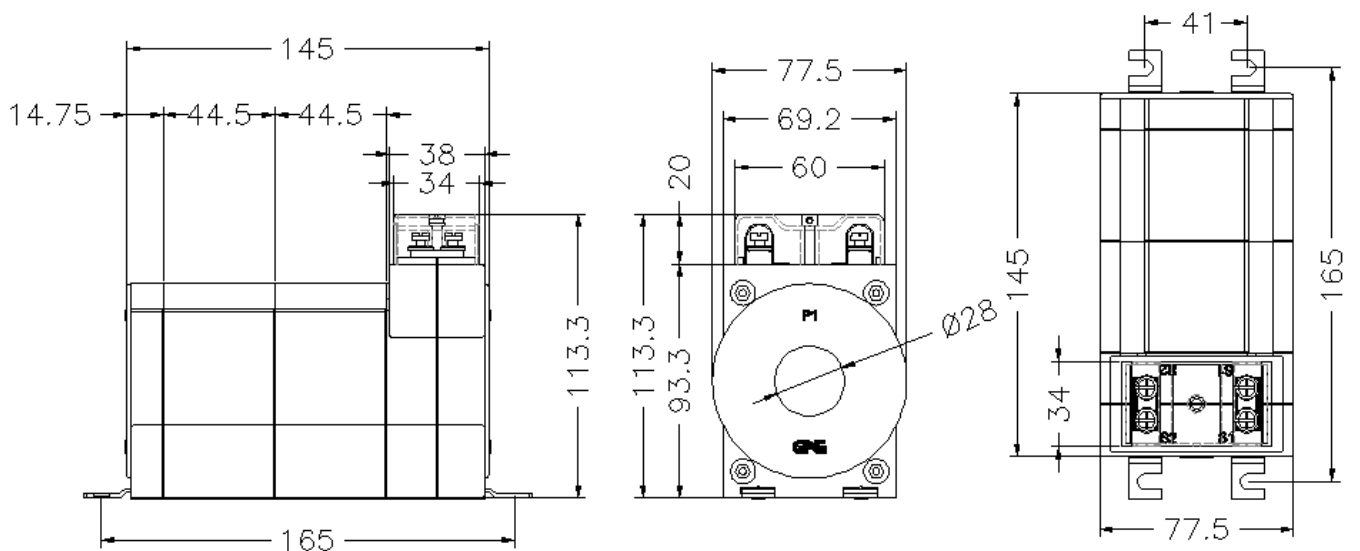
### Specification

Highest voltage for equipment Um (r.m.s.)	0.72 kV
Rated power-frequency withstand voltage (r.m.s.)	3 kV
Rated short-time thermal current (I <sub>th</sub> )	60 I <sub>pn</sub>
Rated dynamic current (I <sub>dyn</sub> )	2.5 I <sub>th</sub>
FS	5
Class of Insulation	E
Rated frequency	50 ... 60 Hz
Working temperature	0° ... 50° C
Storage temperature	-10° C ... +70° C
Relative humidity	95% (non condensing)
Cable diameter	≤ 28 mm
Case / Color	PC V0 / Black
Weight	2000 gr

### Sales Package :

- Terminal cover : 1 pcs
- Cover seal screw : 1 pcs
- Mounting clad : 4 pcs
- QC sheet : 1 pcs

### Dimension (mm)



## Ordering Code

Rated Current Ipn/Isn	Class 1		Class 0.5		Class 0.5S	
	Rated Output (VA)	Ordering Code	Rated Output (VA)	Ordering Code	Rated Output (VA)	Ordering Code
15/5A	2.5	20L00	-	-	-	-
20/5A	2.5	20L01	-	-	-	-
25/5A	3.75	20L03	2.5	20L02	-	-
30/5A	5	20L06	3.75	20L05	2.5	20L04
40/5A	7.5	20L0A	7.5	20L09	5	20L08
50/5A	10	20L0F	10	20L0E	7.5	20L0D
60/5A	10	20L0K	10	20L0J	10	20L0I
75/5A	15	20L0Q	15	20L0P	15	20L0O
80/5A	15	20LOW	15	20LOV	15	20LOU
100/5A	20	20L12	20	20L11	20	20L10

Rated Current Ipn/Isn	Class 0.2		Class 0.2S		Class 0.1	
	Rated Output (VA)	Ordering Code	Rated Output (VA)	Ordering Code	Rated Output (VA)	Ordering Code
15/5A	-	-	-	-	-	-
20/5A	-	-	-	-	-	-
25/5A	-	-	-	-	-	-
30/5A	-	-	-	-	-	-
40/5A	2.5	20L07	-	-	-	-
50/5A	3.75	20L0C	2.5	20L0B	-	-
60/5A	5	20L0H	2.5	20L0G	-	-
75/5A	10	20L0N	5	20L0M	3.75	20L0L
80/5A	10	20L0T	5	20L0S	3.75	20L0R
100/5A	15	20L0Z	7.5	20L0Y	5	20L0X