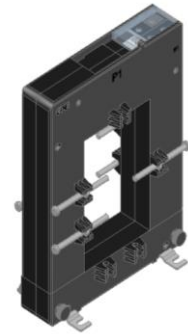


Current Transformer

CT 204 - Split Core

IEC 60044-1



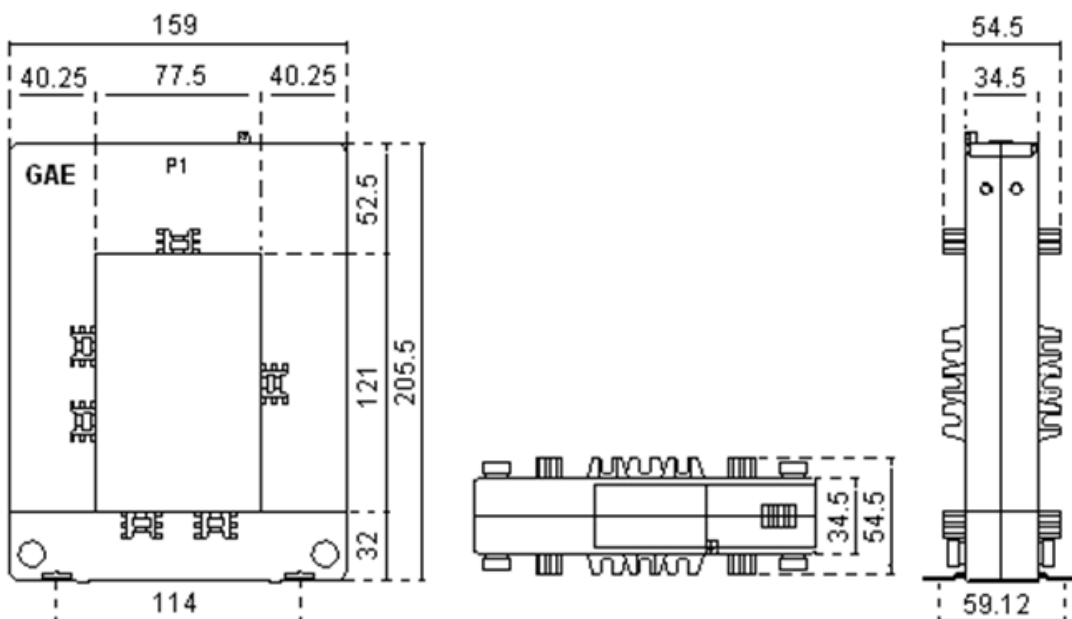
Specification

Highest voltage for equipment Um (r.m.s.)	0.72 kV
Rated power-frequency withstand voltage (r.m.s.)	3 kV
Rated short-time thermal current (I _{th})	60 I _{pn}
Rated dynamic current (I _{dyn})	2.5 I _{th}
FS	5
Class of Insulation	E
Rated frequency	50 ... 60 Hz
Working temperature	0° ... 50° C
Storage temperature	-10° C ... +70° C
Relative humidity	95% (non condensing)
Case / Color	PC V0 / Black
Weight (approx.)	1,620 gr

Sales Package :

- Fastening screw (M5x60) + Nut M6 : 6 pcs
- Mounting clad : 4 pcs
- QC sheet : 1 pcs

Dimension (mm)



PT. Guna Era Distribusi

Jl. Rawa Gelam II No. 8, Pulogadung Industrial Estate, Jakarta Timur 13930, Tel. 021-46825050, Fax. 021-46824758,
www.GAE.id

Rev.2 / 2020.04.01

Ordering Code

Rated Current Ipn/Isn	Class 1		Class 0.5		Class 0.5S	
	Rated Output (VA)	Ordering Code	Rated Output (VA)	Ordering Code	Rated Output (VA)	Ordering Code
400/5A	3.75	20F0L	-	-	-	-
500/5A	2.5	20F00	-	-	-	-
600/5A	5	20F02	2.5	20F01	-	-
750/5A	10	20F05	5	20F04	2.5	20F03
800/5A	15	20F08	10	20F07	5	20F06
1000/5A	20	20F0B	15	20F0A	10	20F09
1200/5A	25	20F0E	20	20F0D	15	20F0C
1250/5A	30	20F0H	25	20F0G	20	20F0F
1500/5A	40	20F0K	30	20F0J	25	20F0I