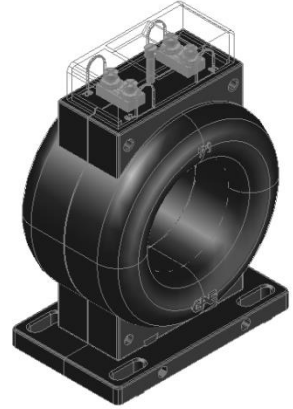


# Current Transformer

## CT 403 – Ring

IEC 60044-1



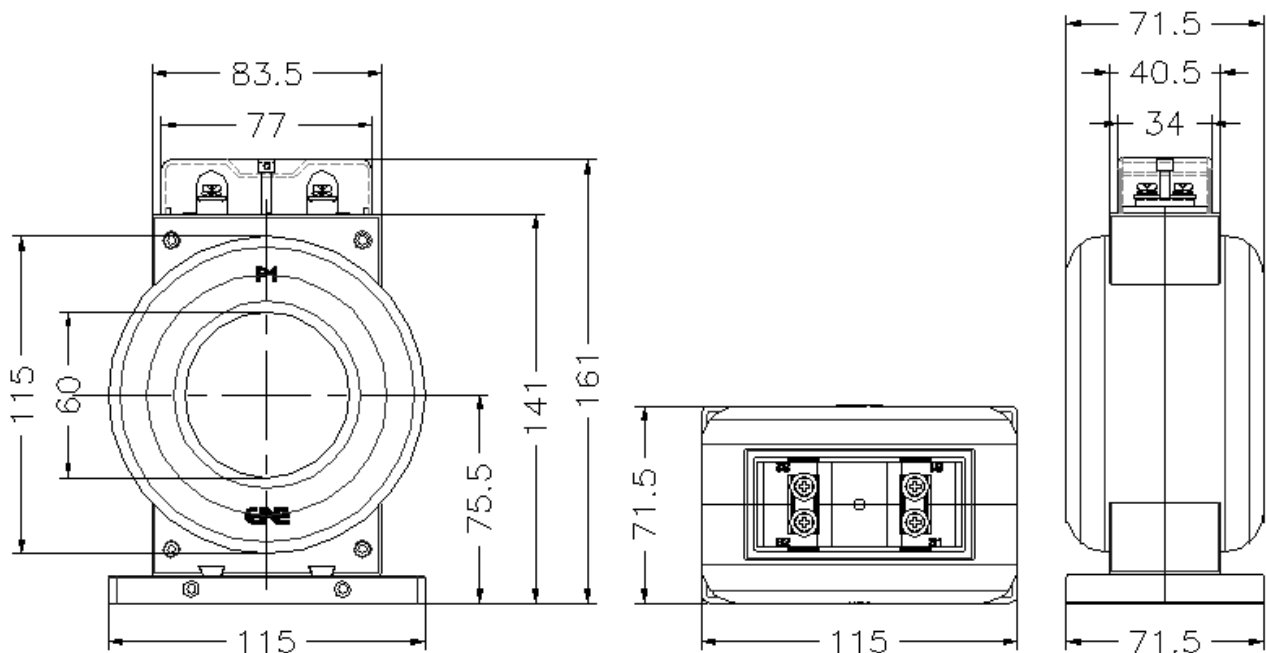
### Specification

Highest voltage for equipment $U_m$ (r.m.s.)	0.72 kV
Rated power-frequency withstand voltage (r.m.s.)	3 kV
Rated short-time thermal current (I <sub>th</sub> )	60 I <sub>pn</sub>
Rated dynamic current (I <sub>dyn</sub> )	2.5 I <sub>th</sub>
FS	5
Class of Insulation	E
Rated frequency	50 ... 60 Hz
Working temperature	0° ... 50° C
Storage temperature	-10° C ... +70° C
Relative humidity	95% (non condensing)
Case / Color	PC V0 / Black
Base plate	Movable (fix & unfix by 2 pcs of screws)
Weight	900 gr

### Sales Package :

- Terminal cover : 1 pcs
- Cover seal screw : 1 pcs
- QC sheet : 1 pcs

### Dimension (mm)



## Ordering Code

Rated Current I <sub>pn</sub> /I <sub>sn</sub>	Class 1		Class 0.5		Class 0.5S	
	Rated Output (VA)	Ordering Code	Rated Output (VA)	Ordering Code	Rated Output (VA)	Ordering Code
200/5A	2.5	20E00	-	-	-	-
250/5A	3.75	20E02	2.5	20E01	-	-
300/5A	5	20E05	3.75	20E04	2.5	20E03
400/5A	7.5	20E08	5	20E07	3.75	20E06
500/5A	10	20E0B	7.5	20E0A	5	20E09
600/5A	15	20E0F	10	20E0E	7.5	20E0D
750/5A	20	20E0K	15	20E0J	10	20E0I
800/5A	20	20E0P	15	20E0O	10	20E0N
1000/5A	30	20E0U	20	20E0T	15	20E0S
1200/5A	40	20E0Z	30	20E0Y	20	20E0X
1250/5A	40	20E14	30	20E13	20	20E12
1500/5A	50	20E19	40	20E18	30	20E17
1600/5A	60	20E1E	50	20E1D	40	20E1C

Rated Current I <sub>pn</sub> /I <sub>sn</sub>	Class 0.2		Class 0.2S	
	Rated Output (VA)	Ordering Code	Rated Output (VA)	Ordering Code
200/5A	-	-	-	-
250/5A	-	-	-	-
300/5A	-	-	-	-
400/5A	-	-	-	-
500/5A	-	-	-	-
600/5A	5	20E0C	-	-
750/5A	7.5	20E0H	5	20E0G
800/5A	7.5	20E0M	5	20E0L
1000/5A	10	20E0R	7.5	20E0Q
1200/5A	15	20E0W	10	20E0V
1250/5A	15	20E11	10	20E10
1500/5A	20	20E16	15	20E15
1600/5A	30	20E1B	20	20E1A