

# Current Transformer

## CT 42 – Window

IEC 60044-1



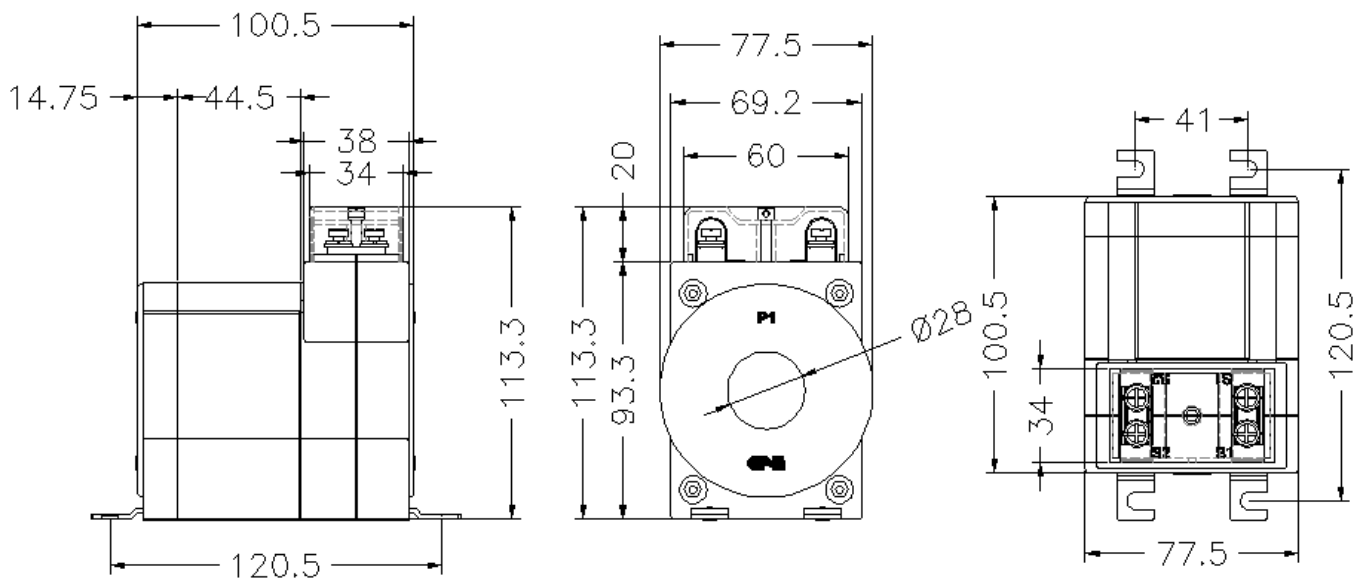
### Specification

Highest voltage for equipment Um (r.m.s.)	0.72 kV
Rated power-frequency withstand voltage (r.m.s.)	3 kV
Rated short-time thermal current (I <sub>th</sub> )	60 I <sub>pn</sub>
Rated dynamic current (I <sub>dyn</sub> )	2.5 I <sub>th</sub>
FS	5
Class of Insulation	E
Rated frequency	50 ... 60 Hz
Working temperature	0° ... 50° C
Storage temperature	-10° C ... +70° C
Relative humidity	95% (non condensing)
Cable diameter	≤ 28 mm
Case / Color	PC V0 / Black
Weight	1350 gr

### Sales Package :

- Terminal cover : 1 pcs
- Cover seal screw : 1 pc
- Mounting clad : 4 pcs
- QC sheet : 1 pcs

### Dimension (mm)



## Ordering Code

Rated Current Ipn/Isn	Class 1		Class 0.5		Class 0.5S	
	Rated Output (VA)	Ordering Code	Rated Output (VA)	Ordering Code	Rated Output (VA)	Ordering Code
30/5A	2.5	20K02	2.5	20K01	2.5	20K00
40/5A	5	20K05	3.75	20K04	5	20K03
50/5A	5	20K0A	5	20K09	5	20K08
60/5A	7.5	20K0F	7.5	20K0E	7.5	20K0D
75/5A	10	20K0L	10	20K0K	10	20K0J
80/5A	10	20K0R	10	20K0Q	10	20K0P
100/5A	10	20K0X	10	20K0W	10	20K0V

Rated Current Ipn/Isn	Class 0.2		Class 0.2S		Class 0.1	
	Rated Output (VA)	Ordering Code	Rated Output (VA)	Ordering Code	Rated Output (VA)	Ordering Code
30/5A	-	-	-	-	-	-
40/5A	-	-	-	-	-	-
50/5A	3.75	20K07	2	20K06	-	-
60/5A	3.75	20K0C	2.5	20K0B	-	-
75/5A	7.5	20K0I	3.75	20K0H	2.5	20K0G
80/5A	7.5	20K0O	3.75	20K0N	2.5	20K0M
100/5A	10	20K0U	7.5	20K0T	5	20K0S