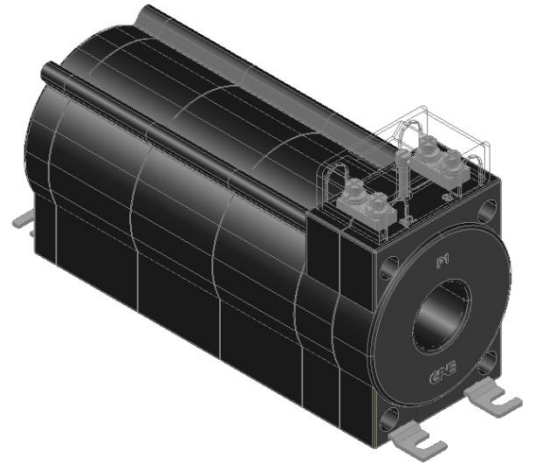


# Current Transformer

## CT 44 – Window

IEC 60044-1



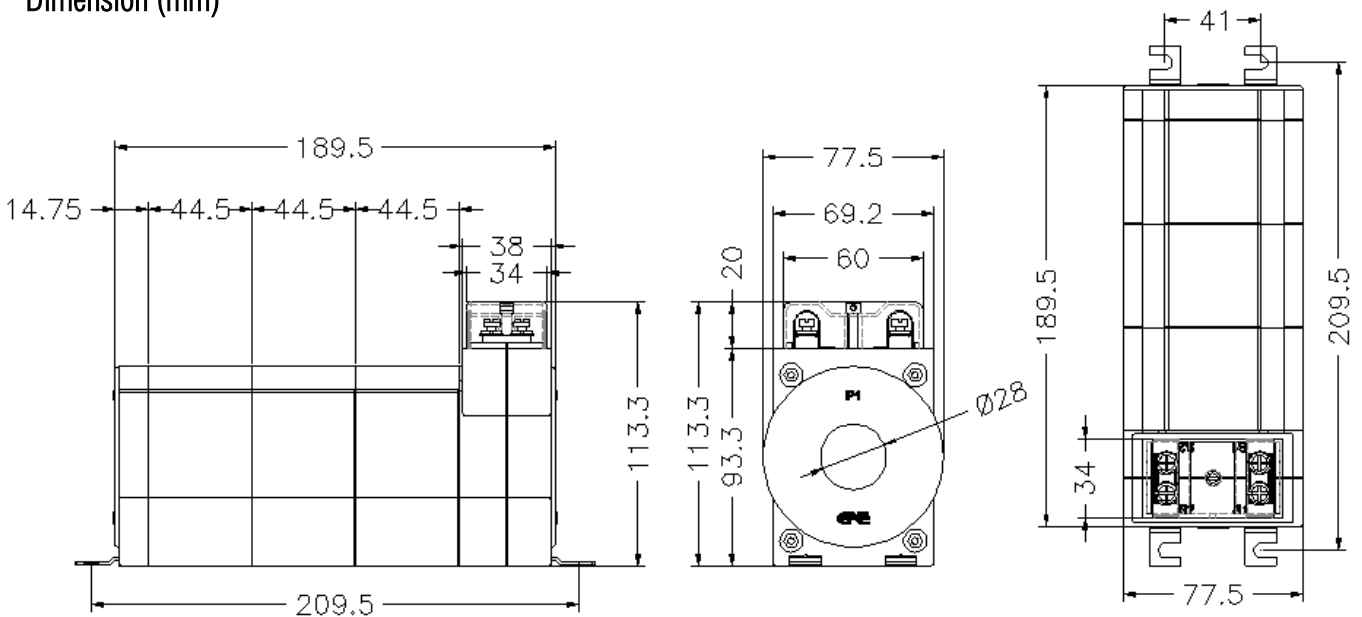
### Specification

Highest voltage for equipment Um (r.m.s.)	0.72 kV
Rated power-frequency withstand voltage (r.m.s.)	3 kV
Rated short-time thermal current (I <sub>th</sub> )	60 I <sub>pn</sub>
Rated dynamic current (I <sub>dyn</sub> )	2.5 I <sub>th</sub>
FS	5
Class of Insulation	E
Rated frequency	50 ... 60 Hz
Working temperature	0° ... 50° C
Storage temperature	-10° C ... +70° C
Relative humidity	95% (non condensing)
Cable diameter	≤ 28 mm
Case / Color	PC V0 / Black
Weight	2570 gr

### Sales Package :

- Terminal cover : 1 pcs
- Cover seal screw : 1 pcs
- Mounting clad : 4 pcs
- QC sheet : 1 pcs

### Dimension (mm)



## Ordering Code

Rated Current I <sub>pn</sub> /I <sub>sn</sub>	Class 1		Class 0.5		Class 0.5S	
	Rated Output (VA)	Ordering Code	Rated Output (VA)	Ordering Code	Rated Output (VA)	Ordering Code
15/5A	2.5	20M00	-	-	-	-
20/5A	5	20M02	2.5	20M01	-	-
25/5A	5	20M05	3.75	20M04	2.5	20M03
30/5A	7.5	20M08	5	20M07	3.75	20M06
40/5A	10	20M0C	7.5	20M0B	5	20M0A
50/5A	10	20M0H	10	20M0G	10	20M0F
60/5A	15	20M0N	15	20M0M	15	20M0L
75/5A	20	20M0T	20	20M0S	20	20M0R
80/5A	20	20M0Z	20	20M0Y	20	20M0X
100/5A	25	20M15	25	20M14	25	20M13

Rated Current I <sub>pn</sub> /I <sub>sn</sub>	Class 0.2		Class 0.2S		Class 0.1	
	Rated Output (VA)	Ordering Code	Rated Output (VA)	Ordering Code	Rated Output (VA)	Ordering Code
15/5A	-	-	-	-	-	-
20/5A	-	-	-	-	-	-
25/5A	-	-	-	-	-	-
30/5A	-	-	-	-	-	-
40/5A	2.5	20M09	-	-	-	-
50/5A	5	20M0E	2.5	20M0D	-	-
60/5A	10	20M0K	5	20M0J	2.5	20M0I
75/5A	15	20M0Q	7.5	20M0P	5	20M0O
80/5A	15	20M0W	7.5	20M0V	5	20M0U
100/5A	20	20M12	15	20M11	10	20M10