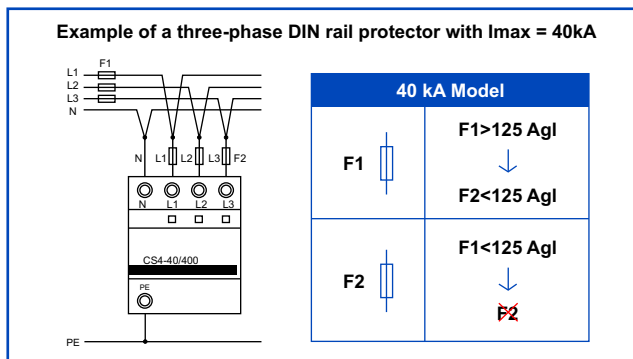
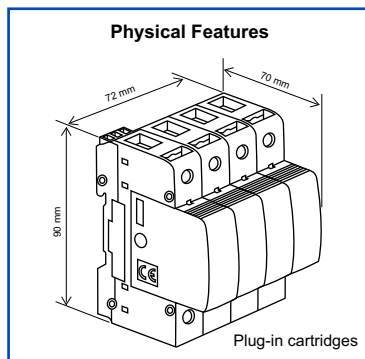
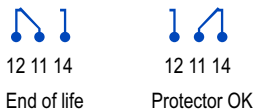


GSM4-40 TNS Series
Four pole transient surge protector

TECHNICAL FEATURES

| IR MODELS | | GSM4-40/400 TNS |
|--|----------------|------------------|
| Designation according to EN 61643-11 | | Type 2 |
| Designation according to IEC 61643-1 | | Class II |
| Nominal voltage AC 50-60 Hz | U_N [V] | 230/400 |
| Max. continuous operating voltage (L-PE) | U_C [V] | 275 |
| Maximum discharge current (8/20) | I_{max} [kA] | 40 |
| Nominal discharge current (8/20) | I_n [kA] | 20 |
| Voltage protection level (L-PE) at I_n | U_P [kV] | < 1,3 |
| Maximum back-up fuse | A gL | 125 |
| Short circuit withstand | I_{cc} [kA] | 25 |
| Response time (L-PE) | t_A [ns] | 25 |
| Insulating material & flammability class | | PA66 CT1 ; V - 0 |
| Remote monitoring | | IR MODELS |
| End of life indication | | YES |
| Dynamic thermal disconnection (L-PE) | | YES |
| Certifications | | |

| Model | Description | Code No. |
|--------------------|---|----------|
| GSM4-40/400 TNS IR | SPD GSM4-40K275M with IR Class II 40kA 400V | 707957 |