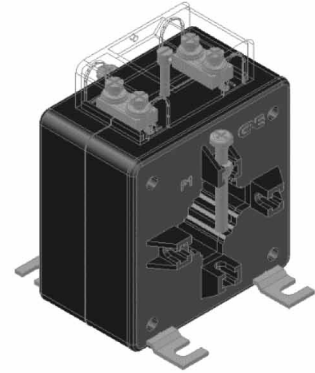


Current Transformer

CT 72 – Window

IEC 60044-1



Specification

Highest voltage for equipment Um (r.m.s.)	0.72 kV
Rated power-frequency withstand voltage (r.m.s.)	3 kV
Rated short-time thermal current (I _{th})	60 I _{pn}
Rated dynamic current (I _{dyn})	2.5 I _{th}
FS	5
Class of Insulation	E
Rated frequency	50 ... 60 Hz
Working temperature	0° ... 50° C
Storage temperature	-10° C ... +70° C
Relative humidity	95% (non condensing)
Cable diameter	≤ 28 mm
Bus Bar Size (h x w) mm	5x10 ... 10x40
Case / Color	PC V0 / Black
Weight	650 gr ... 860 gr

Included

Terminal cover	: 1 pcs
Cover seal screw	: 1 pcs
Fastening screw (M5x40+Nut M5)	: 2 pcs
Mounting clad	: 4 pcs
QC sheet	: 1 pcs

Ordering Code

Rated Current I _{pn} /I _{sn}	Class 0.5S	
	Rated Output (VA)	Ordering Code
75/5A	2.5	20N01
80/5A	3.75	20N04
100/5A	5	20N08
120/5A	5	20N0E
125/5A	5	20N0K
150/5A	5	20N0Q

Dimension (mm)

