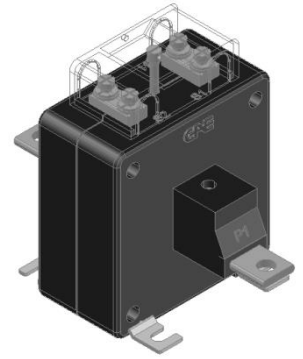


# Current Transformer

## CT 101 – Wound Primary

IEC 60044-1



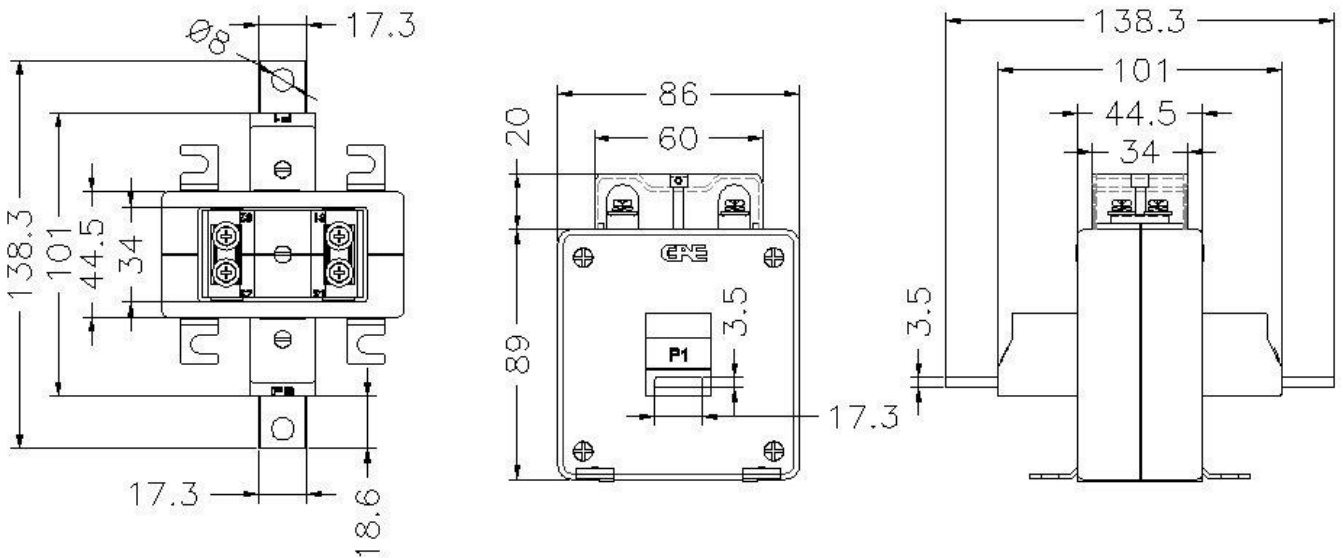
### Specification

Highest voltage for equipment $U_m$ (r.m.s.)	0.72 kV
Rated power-frequency withstand voltage (r.m.s.)	3 kV
Rated short-time thermal current (I <sub>th</sub> )	60 I <sub>pn</sub>
Rated dynamic current (I <sub>dyn</sub> )	2.5 I <sub>th</sub>
FS	5
Class of Insulation	E
Rated frequency	50 ... 60 Hz
Working temperature	0° ... 50° C
Storage temperature	-10° C ... +70° C
Relative humidity	95% (non condensing)
Case / Color	PC V0 / Black
Weight	0.8 kg

### Sales Package :

- Terminal cover : 1 pcs
- Cover seal screw : 1 pc
- Mounting clad : 4 pcs
- QC sheet : 1 pcs

### Dimension (mm)



## Ordering Code

Rated Current I <sub>p</sub> /I <sub>sn</sub>	Class 1		Class 0.5		Class 0.5S	
	Rated Output (VA)	Ordering Code	Rated Output (VA)	Ordering Code	Rated Output (VA)	Ordering Code
5/5A	20	20005	15	20004	15	20003
10/5A	20	2000B	15	2000A	15	20009
15/5A	20	2000H	15	2000G	15	2000F
20/5A	20	2000N	15	2000M	15	2000L
25/5A	20	2000T	15	2000S	15	2000R
30/5A	20	2000Z	15	2000Y	15	2000X
40/5A	20	20015	15	20014	15	20013
50/5A	20	2001B	15	2001A	15	20019

Rated Current I <sub>p</sub> /I <sub>sn</sub>	Class 0.2		Class 0.2S		Class 0.1	
	Rated Output (VA)	Ordering Code	Rated Output (VA)	Ordering Code	Rated Output (VA)	Ordering Code
5/5A	5	20002	5	20001	5	20000
10/5A	5	20008	5	20007	5	20006
15/5A	5	2000E	5	2000D	5	2000C
20/5A	5	2000K	5	2000J	5	2000I
25/5A	5	2000Q	5	2000P	5	20000
30/5A	5	2000W	5	2000V	5	2000U
40/5A	5	20012	5	20011	5	20010
50/5A	5	20018	5	20017	5	20016