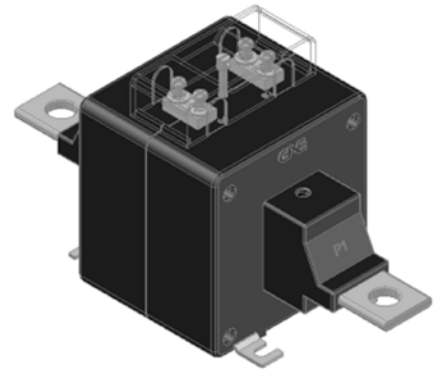


Current Transformer

CT 102 – Wound Primary

IEC 60044-1



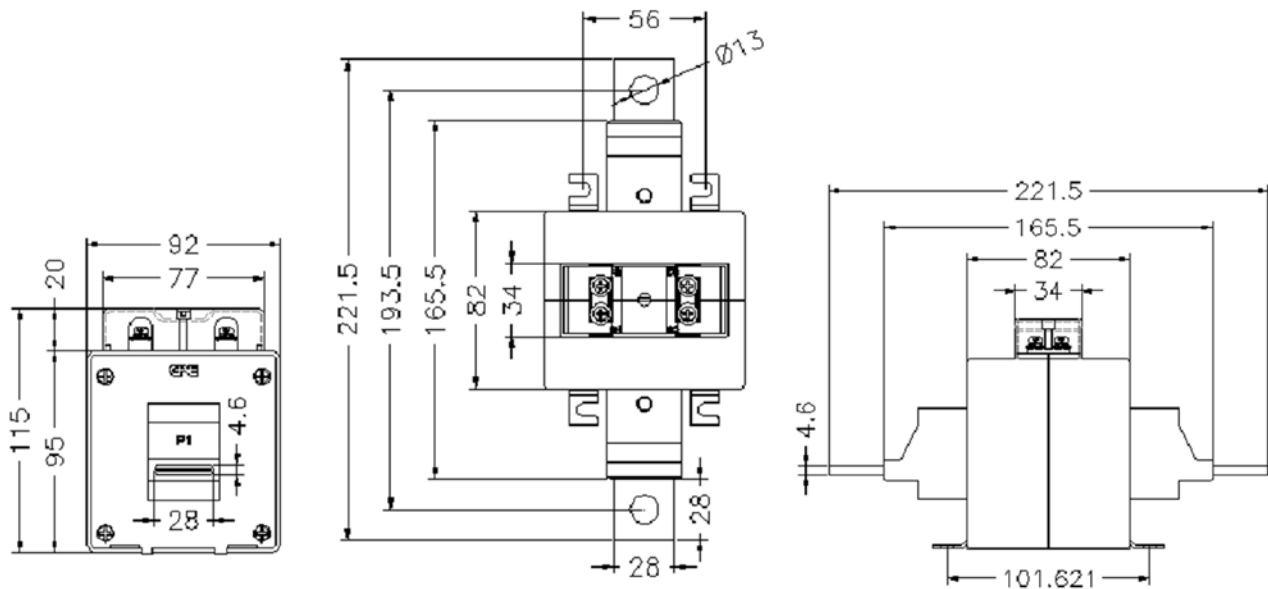
Specification

Highest voltage for equipment U_m (r.m.s.)	0.72 kV
Rated power-frequency withstand voltage (r.m.s.)	3 kV
Rated short-time thermal current (I _{th})	60 I _{pn}
Rated dynamic current (I _{dyn})	2.5 I _{th}
FS	5
Class of Insulation	E
Rated frequency	50 ... 60 Hz
Working temperature	0° ... 50° C
Storage temperature	-10° C ... +70° C
Relative humidity	95% (non condensing)
Case / Color	PC V0 / Black
Weight	1,100 gr

Sales Package :

- Terminal cover : 1 pcs
- Cover seal screw : 1 pc
- Mounting clad : 4 pcs
- QC sheet : 1 pcs

Dimension (mm)



Ordering Code

Rated Current Ipr/Isn	Rated Output (VA)	Ordering Code					
		Class 1	Class 0.5	Class 0.5S	Class 0.2	Class 0.2S	Class 0.1
50/5A	2.5	2010J	2010E	20109	20105	20102	20100
	5	2010K	2010F	2010A	20106	20103	20101
	10	2010L	2010G	2010B	20107	20104	-
	15	2010M	2010H	2010C	20108	-	-
	30	2010N	2010I	2010D	-	-	-
60/5A	2.5	20117	20112	2010X	2010T	2010Q	20100
	5	20118	20113	2010Y	2010U	2010R	2010P
	10	20119	20114	2010Z	2010V	2010S	-
	15	2011A	20115	20110	2010W	-	-
	30	2011B	20116	20111	-	-	-
75/5A	2.5	2011V	2011Q	2011L	2011H	2011E	2011C
	5	2011W	2011R	2011M	2011I	2011F	2011D
	10	2011X	2011S	2011N	2011J	2011G	-
	15	2011Y	2011T	20110	2011K	-	-
	30	2011Z	2011U	2011P	-	-	-
80/5A	2.5	2012J	2012E	20129	20125	20122	20120
	5	2012K	2012F	2012A	20126	20123	20121
	10	2012L	2012G	2012B	20127	20124	-
	15	2012M	2012H	2012C	20128	-	-
	30	2012N	2012I	2012D	-	-	-
100/5A	2.5	20137	20132	2012X	2012T	2012Q	20120
	5	20138	20133	2012Y	2012U	2012R	2012P
	10	20139	20134	2012Z	2012V	2012S	-
	15	2013A	20135	20130	2012W	-	-
	30	2013B	20136	20131	-	-	-
120/5A	2.5	2013V	2013Q	2013L	2013H	2013E	2013C
	5	2013W	2013R	2013M	2013I	2013F	2013D
	10	2013X	2013S	2013N	2013J	2013G	-
	15	2013Y	2013T	20130	2013K	-	-
	30	2013Z	2013U	2013P	-	-	-
125/5A	2.5	2014J	2014E	20149	20145	20142	20140
	5	2014K	2014F	2014A	20146	20143	20141
	10	2014L	2014G	2014B	20147	20144	-
	15	2014M	2014H	2014C	20148	-	-
	30	2014N	2014I	2014D	-	-	-
150/5A	2.5	20156	20151	2014W	2014T	2014Q	20140
	5	20157	20152	2014X	2014U	2014R	2014P
	10	20158	20153	2014Y	2014V	2014S	-
	15	20159	20154	2014Z	-	-	-
	30	2015A	20155	20150	-	-	-