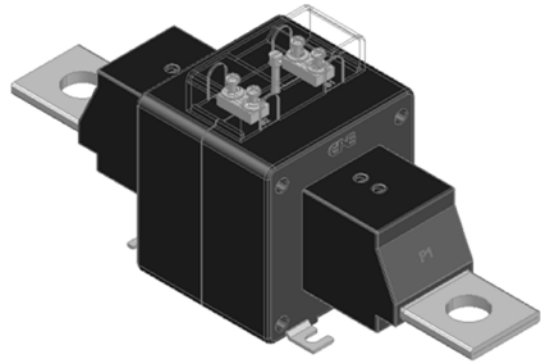


Current Transformer

CT 103 – Wound Primary

IEC 60044-1



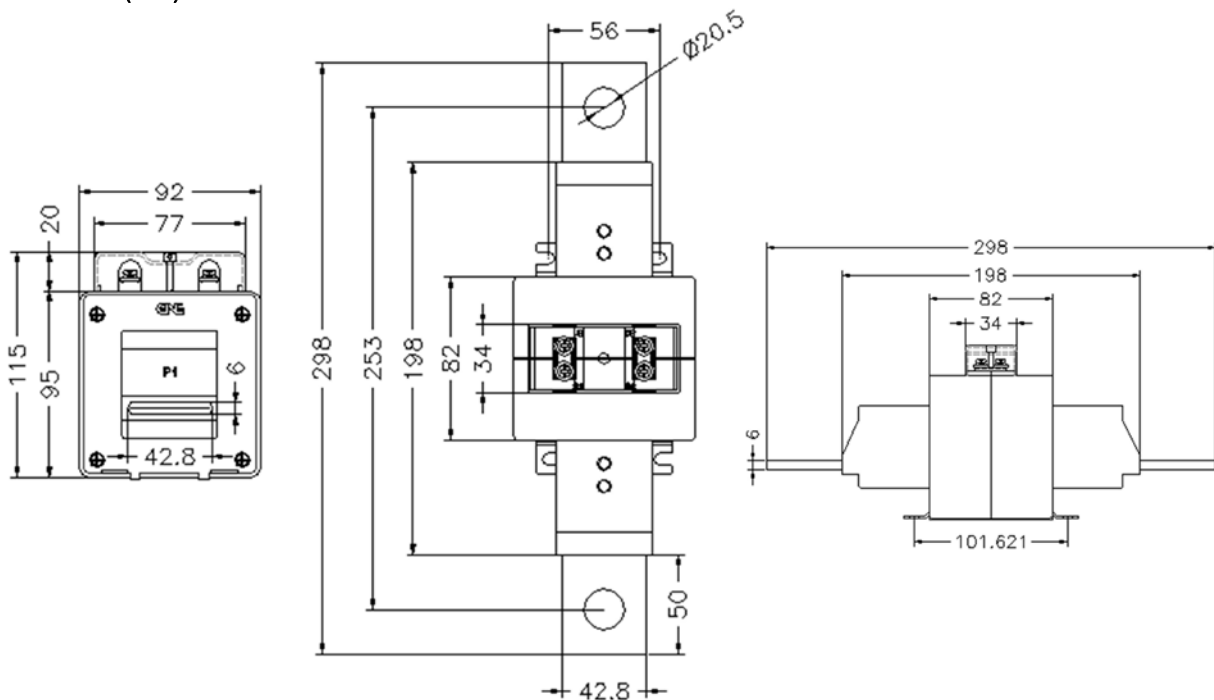
Specification

Highest voltage for equipment Um (r.m.s.)	0.72 kV
Rated power-frequency withstand voltage (r.m.s.)	3 kV
Rated short-time thermal current (Ith)	60 Ipn
Rated dynamic current (Idyn)	2.5 Ith
FS	5
Class of Insulation	E
Rated frequency	50 ... 60 Hz
Working temperature	0° ... 50° C
Storage temperature	-10° C ... +70° C
Relative humidity	95% (non condensing)
Case / Color	PC V0 / Black
Weight	1,500 gr

Sales Package :

- Terminal cover : 1 pcs
- Cover seal screw : 1 pc
- Mounting clad : 4 pcs
- QC sheet : 1 pcs

Dimension (mm)



Ordering Code

Rated Current I _{pn} /I _{sn}	Rated Output (VA)	Ordering Code					
		Class 1	Class 0.5	Class 0.5S	Class 0.2	Class 0.2S	Class 0.1
200/5A	2.5	2020F	2020A	20206	20203	20201	20200
	5	2020G	2020B	20207	20204	20202	-
	10	2020H	2020C	20208	20205	-	-
	15	2020I	2020D	20209	-	-	-
	30	2020J	2020E	-	-	-	-
250/5A	2.5	2020Z	2020U	2020Q	2020N	2020L	2020K
	5	20210	2020V	2020R	20200	2020M	-
	10	20211	2020W	2020S	2020P	-	-
	15	20212	2020X	2020T	-	-	-
	30	20213	2020Y	-	-	-	-
300/5A	2.5	2021J	2021E	2021A	20217	20215	20214
	5	2021K	2021F	2021B	20218	20216	-
	10	2021L	2021G	2021C	20219	-	-
	15	2021M	2021H	2021D	-	-	-
	30	2021N	2021I	-	-	-	-