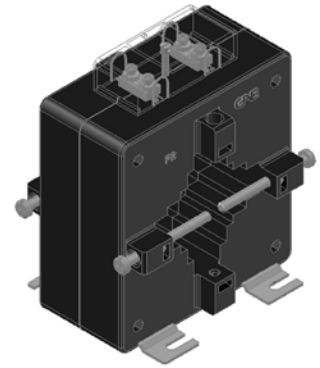


Current Transformer

CT 150 – Window

IEC 60044-1



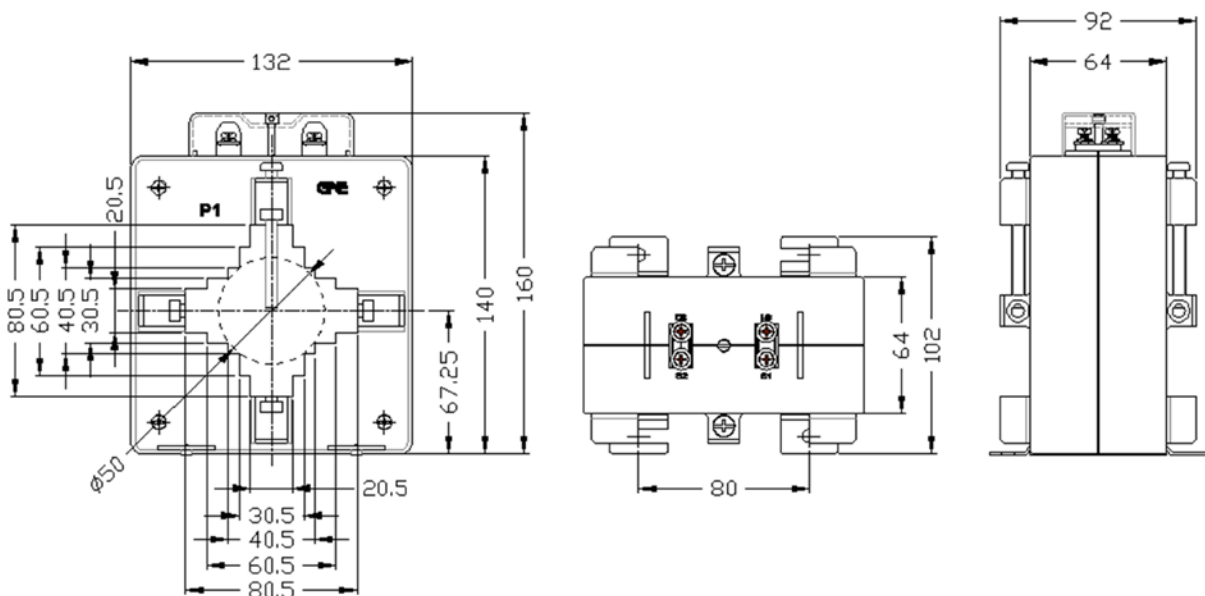
Specification

Highest voltage for equipment Um (r.m.s.)	0.72 kV
Rated power-frequency withstand voltage (r.m.s.)	3 kV
Rated short-time thermal current (Ith)	60 Ipn
Rated dynamic current (Idyn)	2.5 Ith
FS	5
Class of Insulation	E
Rated frequency	50 ... 60 Hz
Working temperature	0° ... 50° C
Storage temperature	-10° C ... +70° C
Relative humidity	95% (non condensing)
Cable diameter	≤ 50 mm
Bus Bar Size (h x w) mm	5x10 ... 20x80
Case / Color	PC V0 / Black
Weight	1,472 gr

Sales Package :

- Terminal cover : 1 pcs
- Cover seal screw : 1 pc
- Fastening screw (M6x65) + Nut M6 : 4 pcs
- Mounting clad : 4 pcs
- QC sheet : 1 pcs

Dimension (mm)



Ordering Code

Rated Current I _{pn} /I _{sn}	Class 1		Class 0.5		Class 0.5S	
	Rated Output (VA)	Ordering Code	Rated Output (VA)	Ordering Code	Rated Output (VA)	Ordering Code
200/5A	2.5	20800	-	-	-	-
250/5A	3.75	20801	-	-	-	-
300/5A	3.75	20802	-	-	-	-
400/5A	5	20805	3.75	20804	2.5	20803
500/5A	7.5	20808	5	20807	3.75	20806
600/5A	10	2080C	7.5	2080B	5	2080A
750/5A	15	2080H	10	2080G	7.5	2080F
800/5A	20	2080M	10	2080L	10	2080K
1000/5A	20	2080R	15	2080Q	10	2080P
1200/5A	30	2080W	20	2080V	15	2080U
1250/5A	30	20811	20	20810	15	2080Z
1500/5A	40	20816	30	20815	20	20814
1600/5A	50	2081B	40	2081A	30	20819
2000/5A	60	2081G	50	2081F	40	2081E
2500/5A	60	2081L	60	2081K	50	2081J

Rated Current I _{pn} /I _{sn}	Class 0.2		Class 0.2S	
	Rated Output (VA)	Ordering Code	Rated Output (VA)	Ordering Code
200/5A	-	-	-	-
250/5A	-	-	-	-
300/5A	-	-	-	-
400/5A	-	-	-	-
500/5A	-	-	-	-
600/5A	3.75	20809	-	-
750/5A	5	2080E	3.75	2080D
800/5A	5	2080J	3.75	2080I
1000/5A	7.5	20800	5	2080N
1200/5A	10	2080T	7.5	2080S
1250/5A	10	2080Y	7.5	2080X
1500/5A	15	20813	10	20812
1600/5A	20	20818	15	20817
2000/5A	30	2081D	20	2081C
2500/5A	40	2081I	30	2081H