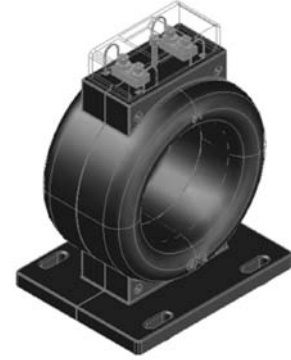


Current Transformer

CT 404 – Ring

IEC 60044-1



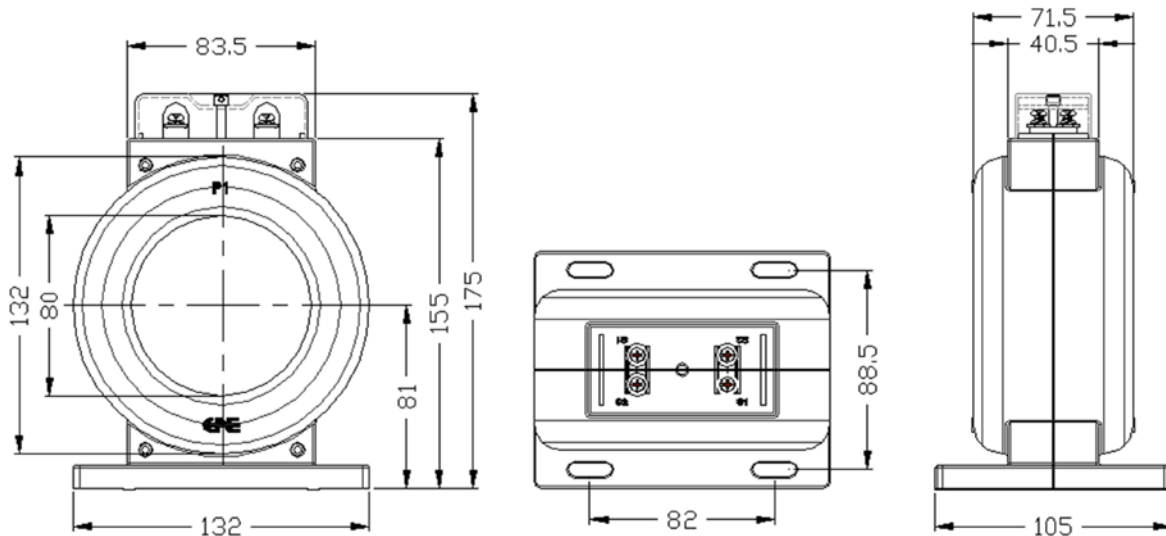
Specification

Highest voltage for equipment U_m (r.m.s.)	0.72 kV
Rated power-frequency withstand voltage (r.m.s.)	3 kV
Rated short-time thermal current (I _{th})	60 I _{pn}
Rated dynamic current (I _{dyn})	2.5 I _{th}
FS	5
Class of Insulation	E
Rated frequency	50 ... 60 Hz
Working temperature	0° ... 50° C
Storage temperature	-10° C ... +70° C
Relative humidity	95% (non condensing)
Case / Color	PC V0 / Black
Base plate	Movable (fix & unfix by 2 pcs of screws)
Weight	1,500 gr

Sales Package :

- Terminal cover : 1 pcs
- Cover seal screw : 1 pc
- QC sheet : 1 pcs

Dimension (mm)



Ordering Code

Rated Current Ipn/Isn	Class 1		Class 0.5		Class 0.5S	
	Rated Output (VA)	Ordering Code	Rated Output (VA)	Ordering Code	Rated Output (VA)	Ordering Code
200/5A	2.5	20D00	-	-	-	-
250/5A	3.75	20D01	-	-	-	-
300/5A	3.75	20D02	-	-	-	-
400/5A	5	20D05	3.75	20D04	2.5	20D03
500/5A	7.5	20D08	5	20D07	3.75	20D06
600/5A	10	20D0C	7.5	20D0B	5	20D0A
750/5A	15	20D0H	10	20D0G	7.5	20D0F
800/5A	20	20D0M	10	20D0L	10	20D0K
1000/5A	20	20D0R	15	20D0Q	10	20D0P
1200/5A	30	20D0W	20	20D0V	15	20D0U
1250/5A	30	20D11	20	20D10	15	20D0Z
1500/5A	40	20D16	30	20D15	20	20D14
1600/5A	50	20D1B	40	20D1A	30	20D19
2000/5A	60	20D1G	50	20D1F	40	20D1E
2500/5A	60	20D1L	60	20D1K	50	20D1J

Rated Current Ipn/Isn	Class 0.2		Class 0.2S	
	Rated Output (VA)	Ordering Code	Rated Output (VA)	Ordering Code
200/5A	-	-	-	-
250/5A	-	-	-	-
300/5A	-	-	-	-
400/5A	-	-	-	-
500/5A	-	-	-	-
600/5A	3.75	20D09	-	-
750/5A	5	20D0E	3.75	20D0D
800/5A	5	20D0J	3.75	20D0I
1000/5A	7.5	20D00	5	20D0N
1200/5A	10	20D0T	7.5	20D0S
1250/5A	10	20D0Y	7.5	20D0X
1500/5A	15	20D13	10	20D12
1600/5A	20	20D18	15	20D17
2000/5A	30	20D1D	20	20D1C
2500/5A	40	20D1I	30	20D1H