

# theLuxa S180 WH

Item no.: 1010505

**theben**  
energy saving comfort

Presence and motion detectors  
Outdoor detectors

## Description

- Passive infra-red motion detector
- 180° detection angle
- For outdoor use
- Additional creep under protection
- Sensor head can be turned by  $\pm 90^\circ$  horizontally and by  $30^\circ$  downwards
- Adjustable brightness switching value and switch-off delay
- Mixed light measurement suitable for the control of fluorescent, incandescent, halogen lamps and LEDs
- Zero-cross switching for relay-saving switching and high lamp loads
- Teach-in of current brightness value possible
- Pulse function
- Test function for checking detection area
- Installation on flush-mounted socket possible (60 mm)
- Single-handed plug-in installation
- Instant start-up possible via factory preset
- Controls are place protected
- Terminal for protective earth conductor



## Technical data

| theLuxa S180 WH          |                         |
|--------------------------|-------------------------|
| Operating voltage        | 230 V AC                |
| Frequency                | 50 Hz                   |
| Stand-by consumption     | ~0.9 W                  |
| Light measurement        | Mixed light measurement |
| Number of channels       | 1                       |
| Colour                   | White                   |
| Switching output         | Light                   |
| Installation type        | Wall installation       |
| Setting range brightness | 5 – 1000 lx             |

| theLuxa S180 WH                                    |   |
|--|---|
| Switching capacity                                 | 10 A at 230 V AC, $\cos \varphi = 1$ , 6 A at 230 V AC, $\cos \varphi = 0.6$ , 3 AX at 230 V AC, $\cos \varphi = 0.3$ |
| Detection angle                                    | 180°  |
| Installation height                                | 2 – 4 m   |
| Light switch-off delay                             | 1 s-20 min  |
| Incandescent/halogen lamp load                     | 2300 W  |
| Fluorescent lamp load (conventional) not corrected | 2300 VA   |

Subject to technical changes and misprints

additional information at: [www.theben.de/product/1010505](http://www.theben.de/product/1010505)

The load data are determined with exemplary selected illuminants and are therefore typical data due to the large number of available products.

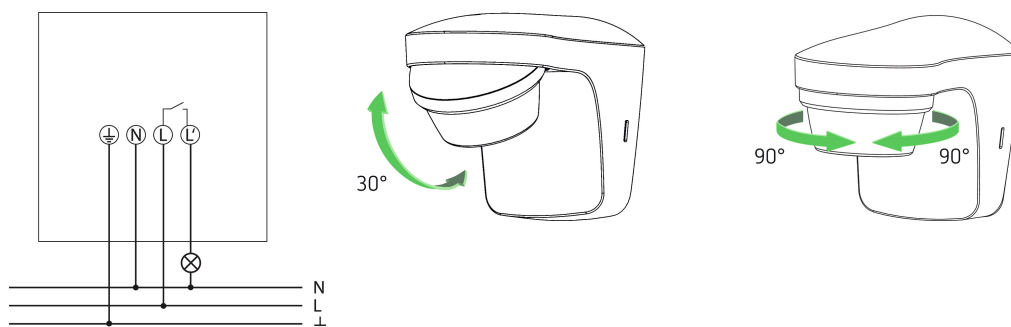
# theLuxa S180 WH

Item no.: 1010505

## Technical data

| theLuxa S180 WH   |                     | theLuxa S180 WH     |  |
|---|---------------------|---------------------|--|
| Fluorescent lamp load (conventional) parallel-corrected | 1200 VA 120 µF      | LED lamp 2-8 W      | 500 W  |
| Fluorescent lamp load (conventional) series-corrected   | 2300 VA             | LED lamp > 8 W      | 500 W  |
| Fluorescent lamp load (electronic ballast)              | 1000 W              | Lamps               | Incandescent/halogen lamps, fluorescent lamps, Energy saving lamps, LEDs |
| Energy saving lamps                                     | 250 W               | Remote controlled   | -  |
| Inrush current  | max. 300 A / 200 µs | Ambient temperature | -25°C ... 45°C   |
| LED lamp < 2 W  | 50 W                | Protection class    | II   |
|   |                     | Type of protection  | IP 55  |

## Connection example



## Detection range for planning applications

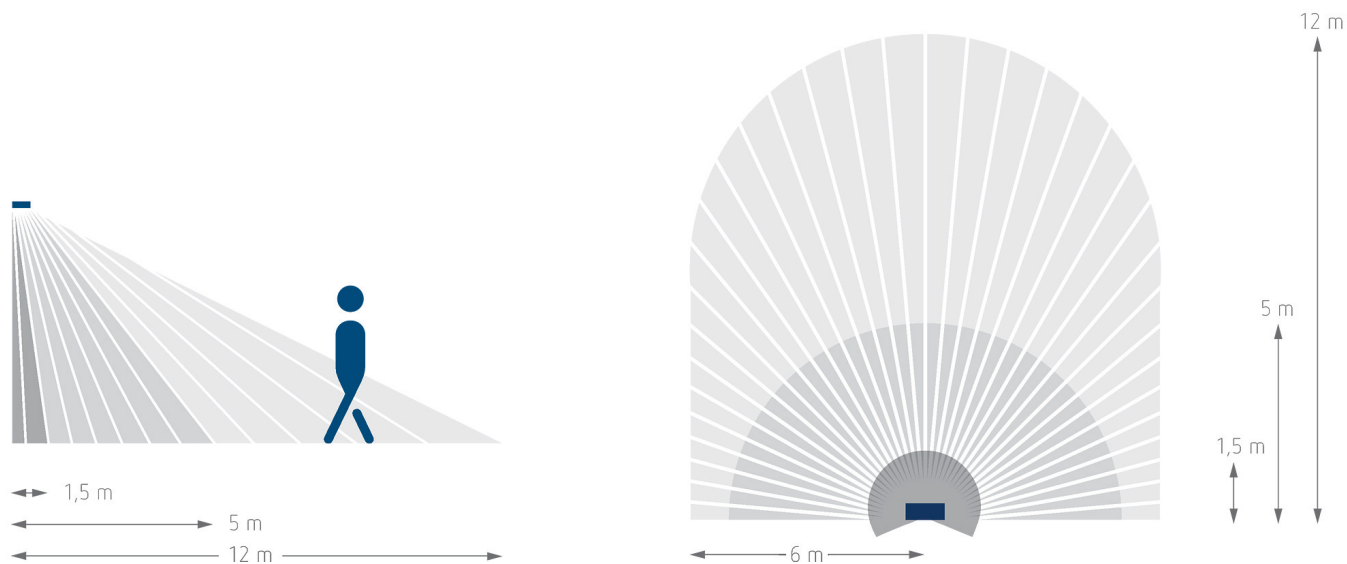
| Mounting height (A) | Diagonally (t) | Head on to (R) |  |
|---------------------|----------------|----------------|--|
| 2 m                 | 9 m            | 3 m            |  |
| 2.5 m               | 12 m           | 5 m            |  |
| 3 m                 | 12 m           | 5 m            |  |
| 3.5 m               | 12 m           | 5 m            |  |
| 4 m                 | 9 m            | 3 m            |  |

# theLuxa S180 WH

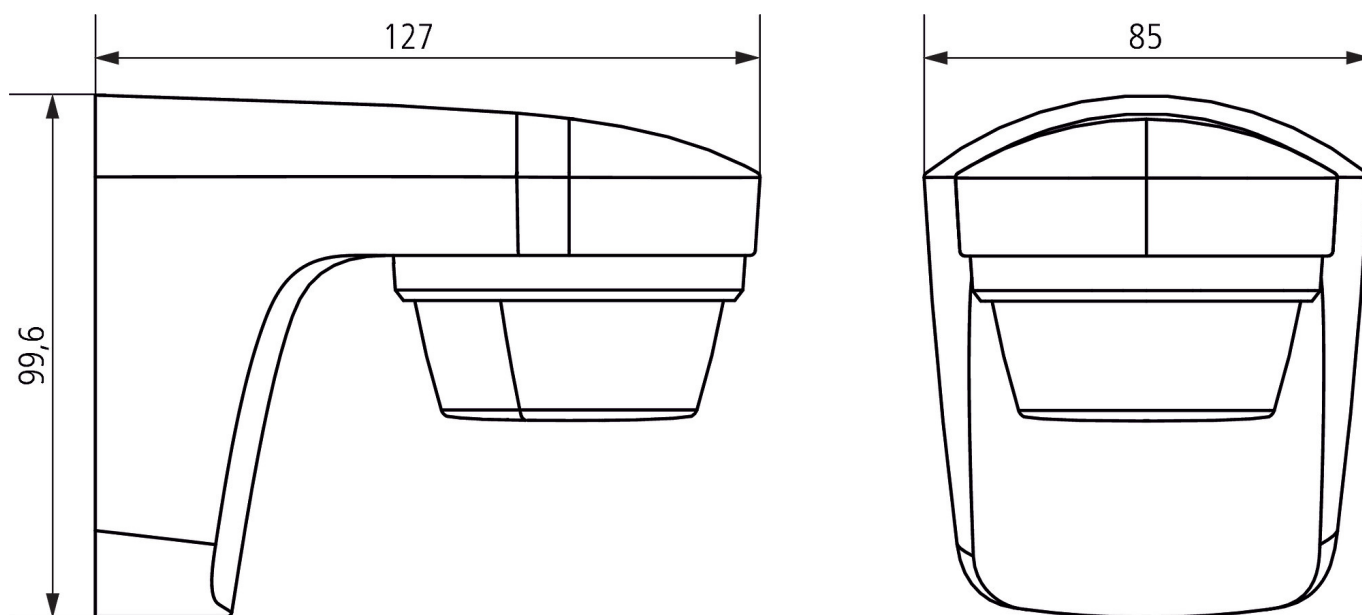
Item no.: 1010505

**theben**  
energy saving comfort

## Detection range for planning applications



## Scale drawings



Subject to technical changes and misprints

additional information at: [www.theben.de/product/1010505](http://www.theben.de/product/1010505)

The load data are determined with exemplary selected illuminants and are therefore typical data due to the large number of available products.

06/11/2020

Page 3 of 4

# theLuxa S180 WH

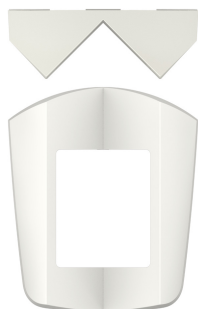
Item no.: 1010505

## Accessories

---

### Corner angle theLuxa S WH

Item no.: 9070902



### Spacer theLuxa S WH

Item no.: 9070906

