



## EXIPCAM1500 EX-PROOF FULL HD COMPACT CAMERA

### FEATURES

- Certifications for use in Zones 1 and 2, IIB T6 or T5 Group (Gas) and in Zones 21 and 22, IIIC T85°C or T100°C Group (Dust)
- Certification temperature: from -40°C (-40°F) up to +70°C (158°F)
- AISI 316L stainless steel construction
- Camera Full HD 1080p, 3x or 10x Day/Night
- Power supply: 24Vdc, 24Vac, PoE+

### KEY BENEFITS

- Durable, low maintenance housing
- Certified for environments with combustible dust and gases
- High quality, high definition video
- Precise zoom control
- Inter-operable with ONVIF certified systems

The EXIPCAM1500 explosion-proof camera delivers high performance video monitoring for refineries, gas pipelines, offshore platforms, industrial processes and other industries where potentially explosive atmospheres may exist.

High quality imaging is made possible by the HD, 1080p, 60fps camera with 3x or 10x optical zoom. The video is transported over an IP based Ethernet network, using H.264/AVC and MJPEG compression and ONVIF Profile S compatibility.

# TECHNICAL SPECIFICATIONS

EXIPCAM1500 SPECIFICATIONS	
<b>MECHANICAL</b>	
AISI 316L stainless steel construction	
External shot peened and electro-polished surfaces	
Sunshield	
Supports for wall, ceiling or parapet installation	
Unit weight: <ul style="list-style-type: none"> <li>• 6.5kg (14.3lb) (housing only + mounting bracket)</li> <li>• 8.5kg (18.7lb) (housing with 4m (13ft) multi-polar cable shield)</li> </ul>	
<b>CABLE GLANDS</b>	
Cable entry: 1 hole, 1/2" NPT	
Cable gland Ex d 1/2"NPT (with pre-installed cable only)	
<b>ELECTRICAL</b>	
Supply voltage/Current consumption <ul style="list-style-type: none"> <li>• 24Vac, 1.32A, 50/60Hz</li> <li>• 24Vdc, 0.9A</li> <li>• PoE+ (IEEE 802-at)</li> </ul>	
Supply voltage/Current consumption <ul style="list-style-type: none"> <li>• 21W (24Vac, 1.32A, 50/60Hz)</li> <li>• 20W (24Vdc, 0.9A)</li> <li>• 21W (PoE+)</li> </ul>	
Armoured cable <ul style="list-style-type: none"> <li>• External diameter: 18.6mm (0.73in)±0.2mm (0.008in)</li> <li>• Diameter under armature: 13.8mm (0.54in)</li> <li>• Colour: black RAL 9005</li> </ul>	
Armoured cable composition: <ul style="list-style-type: none"> <li>• 3x1mm<sup>2</sup> (17AWG)</li> <li>• 4x2x0.22mm<sup>2</sup> (24AWG) (cat. 5E F/STP)</li> </ul>	
<b>NETWORK</b>	
Ethernet connection: 100 Base-TX	
Connector: RJ45	
<b>VIDEO</b>	
Video encoder <ul style="list-style-type: none"> <li>• Communication protocol: ONVIF, Profile S and Profile Q</li> <li>• Device configuration: TCP/IPv4-IPv6, UDP/IPv4-IPv6, HTTP, HTTPS, NTP, DHCP, WSDISCOVERY, DSCP, IGMP (Multicast), SOAP, DNS</li> <li>• Streaming: RTSP, RTCP, RTP/IPv4, HTTP, Multicast</li> <li>• Video compression: H.264/AVC, MJPEG, JPEG, MPEG4</li> <li>• 3 independent video streams Full HD</li> <li>• Image resolution: from 320x180pixel up to 1920x1080pixel in 6 steps</li> <li>• Selectable frame rate from 1 to 60 images per second (fps)</li> <li>• Web Server</li> <li>• Motion Detection</li> </ul>	
<b>CAMERAS</b>	
<b>Day/Night Full HD 3x</b>	
Resolution: Full HD 1080p (1920x1080pixel)	
Signal system: max 1080p/30fps	
Image Device: 1/2.8 type Exmor™ CMOS sensor	
Effective pixels: 3.27Megapixel	
Minimum Illumination, colour (ICR-OFF): <ul style="list-style-type: none"> <li>• 1lx, 1/30s, F1.2, 50% (Normal mode)</li> <li>• 0.25lx, 1/30s, F1.2, 50% (High sensitivity mode)</li> </ul>	
Minimum Illumination, B/W (ICR-ON): <ul style="list-style-type: none"> <li>• 0.1lx, 1/30s, F1.2, 50% (Normal mode)</li> <li>• 0.03lx, 1/30s, F1.2, 50% (High sensitivity mode)</li> </ul>	

CAMERAS (CONTD)	
Lens: <ul style="list-style-type: none"> <li>• From f= 3.0mm (wide) up to 9.0mm (tele)</li> <li>• From F1.2 up to F2.1</li> </ul>	
Zoom: 3x (36x with digital zoom)	
Horizontal Viewing Angle: From 90° (wide) up to 32° (tele)	
Minimum object distance: 300mm (11.8in) (wide to tele)	
Shutter speed: From 1/1s up to 1/10000s, 22 steps	
White balance: Auto, ATW, Indoor, Outdoor, Outdoor Auto, Sodium vapor lamp (Fix, Auto), Manual	
Wide Dynamic Range: On/Off	
Exposure Control: Auto, Manual, Priority (Shutter priority, Iris priority), Brightness	
S/N Ratio: 50dB	
Gain limit: up to 28dB	
Backlight Compensation	
<b>Day/Night Full HD 10x</b>	
Resolution: Full HD 1080p (1920x1080pixel)	
Signal system: 1080p/60fps max	
Image Device: 1/2.8 type Exmor™ CMOS sensor	
Effective pixels: 2.38Megapixel	
Minimum Illumination, colour (ICR-OFF): <ul style="list-style-type: none"> <li>• 1.4lx, 1/30s, 50% (Normal mode)</li> <li>• 0.35lx, 1/30s, 50% (High sensitivity mode)</li> <li>• 0.19lx, 1/3s, 50% (Normal mode)</li> <li>• 0.05lx, 1/3s, 50% (High sensitivity mode)</li> </ul>	
Minimum Illumination, B/W (ICR-ON): <ul style="list-style-type: none"> <li>• 0.12lx, 1/30s, 50% (Normal mode)</li> <li>• 0.03lx, 1/30s, 50% (High sensitivity mode)</li> <li>• 0.002lx, 1/3s, 30% (High sensitivity mode)</li> </ul>	
Lens: <ul style="list-style-type: none"> <li>• From f= 3.8mm (wide) up to 38mm (tele)</li> <li>• From F1.8 up to F3.4</li> </ul>	
Zoom: 10x (120x, with digital zoom)	
Horizontal Viewing Angle: From 67° (wide) up to 7.6° (tele)	
Minimum object distance: From 10mm (0.4in) (wide) up to 800mm (31.4in) (tele)	
Shutter speed: From 1/1s up to 1/10000s, 22 steps	
White balance: Auto, ATW, Indoor, Outdoor, Outdoor Auto, Sodium vapor lamp (Fix, Auto, Outdoor Auto), Manual	
Wide Dynamic Range: On/Off/Visibility enhancer, Light level, Brightness Compensation selection, Compensation level	
Exposure Control: Auto, EV Compensation, Manual, Priority (Shutter priority, Iris priority), Brightness, Slow AE	
S/N Ratio: 50dB	
Gain limit: up to 43.5dB	
De-fog: Yes (On/Off)	
Backlight Compensation	

## TECHNICAL SPECIFICATIONS (CONT'D)

SPECIFICATIONS	
ENVIRONMENT	
For installation indoors and outdoors	
Operating temperature: from -40°C (-40°F) up to +65°C (149°F)	
Certification temperature: from -40°C (-40°F) up to +65°C (149°F) (T6/T85°C) or +70°C (158°F) (T5/T100°C)	
Relative humidity: from 10% up to 95% (no condensation)	
CERTIFICATIONS	
Electrical safety (CE): EN60950-1, IEC60950-1, EN62368-1, IEC62368-1	
Electromagnetic compatibility (CE): EN61000-6-4, EN61000-3-2, EN61000-3-3, EN50130-4, EN55032 (Class A)	
RoHS (CE): EN50581	
Outdoor installation (CE): EN60950-22, ICE60950-22	
IP protection degree (EN/IEC60529): IP66, IP67, IP68 (2 hours, 5m (16ft)), IP69	
Vibration test: EN50130-5, EN60068-2-6	
UL certification (UL60950-1, CAN/CSA C22.2 No. 60950-1-07): cULus Listed	
Electromagnetic compatibility (North America): FCC part 15 (Class A), ICES-003 (Class A)	
Level of protection Type (UL50E): 4X, 6P	

CERTIFICATIONS - EXPLOSION-PROOF APPLICATIONS
ATEX (EN 60079-0+A11, EN 60079-1, EN 60079-31)
IECEX (IEC 60079-0, IEC 60079-1, IEC 60079-31)
EAC EX (TR CU 012/2011)
UL listed for USA (UL 60079-0, UL 60079-1, UL 60079-31)
UL listed for Canada (CAN/CSA-C22.2 NO. 60079-0, CAN/CSA-C22.2 NO. 60079-1, CAN/CSA-C22.2 NO. 60079-31)

For further details on certifications and markings, consult the relevant table.

CERTIFICATIONS - MARINE APPLICATIONS
Lloyd's Register Marine Type Approval certification (only for models with Day/Night camera 10X zoom, FullHD): <ul style="list-style-type: none"> <li>• Test Specification Number 1 (ENV1, ENV2, ENV3, ENV5)</li> </ul>
Electromagnetic compatibility: EN60945
Salty fog resistance: EN60068-2-52
Tested at 70° for 16 hours in compliance with EN60068-2-2

SELECTION DIAGRAM FOR CABLE GLANDS AND ACCESSORIES 1/2" NPT						
Type	Certification	Operating temperature	Cable	Model Number	Diameter of the external cable	Under armor cable diameter
Barrier cable gland	IECEX/ATEX/EAC Ex	-60°C (-76°F) / +135°C (275°F)	Unarmoured cable	OCTEXB1/2P	12.5 - 14.0mm (0.5-0.55in)	-
			Armoured cable	OCTEXBA1/2P	15.5 - 21.1mm (0.61-0.83in)	-
Cable gland with gasket	IECEX/ATEX/EAC Ex	-60°C / +100°C (-76°F / +212°F)	Unarmoured cable	OCTEX1/2C	3.2 - 8.0mm (0.12-0.31in)	-
			Unarmoured cable	OCTEXS1/2C	6.5 - 11.9mm (0.26 - 0.47in)	-
			Armoured cable	OCTEXA1/2C	12.5 - 20.5mm (0.49 - 0.8in)	10 - 14.3mm (0.4 - 0.56in)
Plug EX 1/2"NPT	IECEX/ATEX/EAC Ex	-100°C (-148°F) / +400°C (752°F)	-	OEXPLUG1/2P	-	-

EXIPCAM1500 - CERTIFICATIONS AND MARKINGS (WITH CABLE)		
Certification	Marking	Ambient temperature
ATEX	Ex II 2 G Ex db IIB T6...T5 Gb Ex II 2 D Ex tb IIIC T85°C...T100°C Db	-40°C ≤ Ta ≤ +65°C or +70°C
IECEX	Ex db IIB T6...T5 Gb Ex tb IIIC T85°C...T100°C Db	-40°C ≤ Ta ≤ +65°C or +70°C
EAC Ex	Ex II 2G Ex db IIB T6...T5 Gb Ex II 2D Ex tb IIIC T85°C...T100°C Db	-40°C ≤ Ta ≤ +65°C or +70°C

## EXIPCAM1500 - CERTIFICATIONS AND MARKINGS (WITHOUT CABLE)

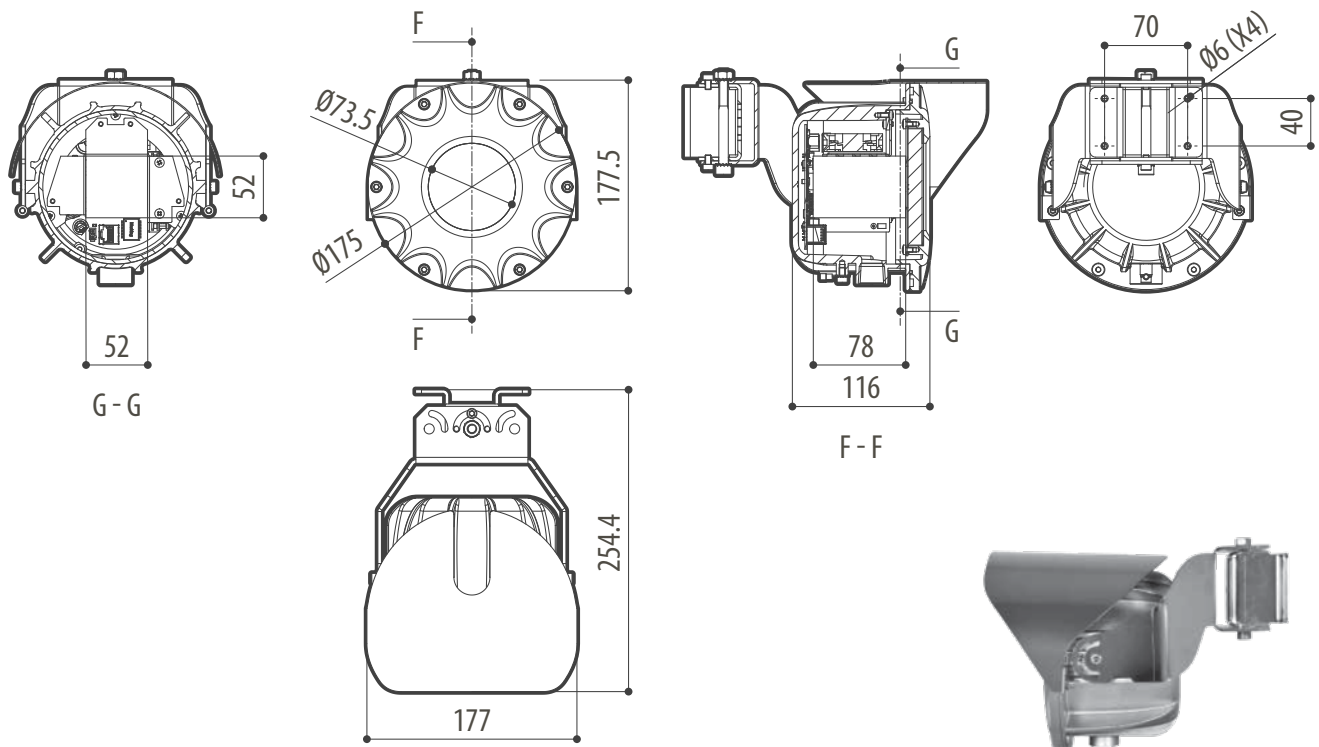
Certification	Marking	Ambient temperature
ATEX	Ex II 2 G Ex db IIB T6...T5 Gb Ex II 2 D Ex tb IIIC T85°C...T100°C Db	-40°C ≤ Ta ≤ +65°C or +70°C
IECEX	Ex db IIB T6...T5 Gb Ex tb IIIC T85°C...T100°C Db	-40°C ≤ Ta ≤ +65°C or +70°C
EAC Ex	Ex II 2G Ex db IIB T6...T5 Gb Ex II 2D Ex tb IIIC T85°C...T100°C Db	-40°C ≤ Ta ≤ +65°C or +70°C
Hazardous Location America	Class I, Zone 1, AEx db IIB T6...T5 Zone 21, AEx tb IIIC T85°C...T100°C Class I, Div 2 Group C, D Class II, Div 2, Group F and G	-40°C ≤ Ta ≤ +65°C or +70°C
Hazardous Location Canada	Ex db IIB T6...T5 Gb Ex tb IIIC T85°C...T100°C Db Class I, Div 2 Group C, D Class II, Div 2, Group F and G	-40°C ≤ Ta ≤ +65°C or +70°C

## EXIPCAM1500 - CONFIGURATION OPTIONS

	Voltage	Camera	Connections	Video Output	
EXIPCAM1500	2 24Vdc/ 24Vac, PoE+	<b>C</b> Day/Night camera 3X zoom, FullHD	<b>0</b> Without cable, without cable gland	<b>Z</b> IP H.264/AVC control, Protocol ONVIF, Profile S and Profile Q	<b>A</b>
		<b>G</b> Day/Night camera 10X zoom, FullHD	<b>A</b> Cable gland Ex d 1/2" NPT and 4m (13ft) armored cable		
			<b>B</b> Cable gland Ex d 1/2" NPT and 10m (33ft) armored cable		

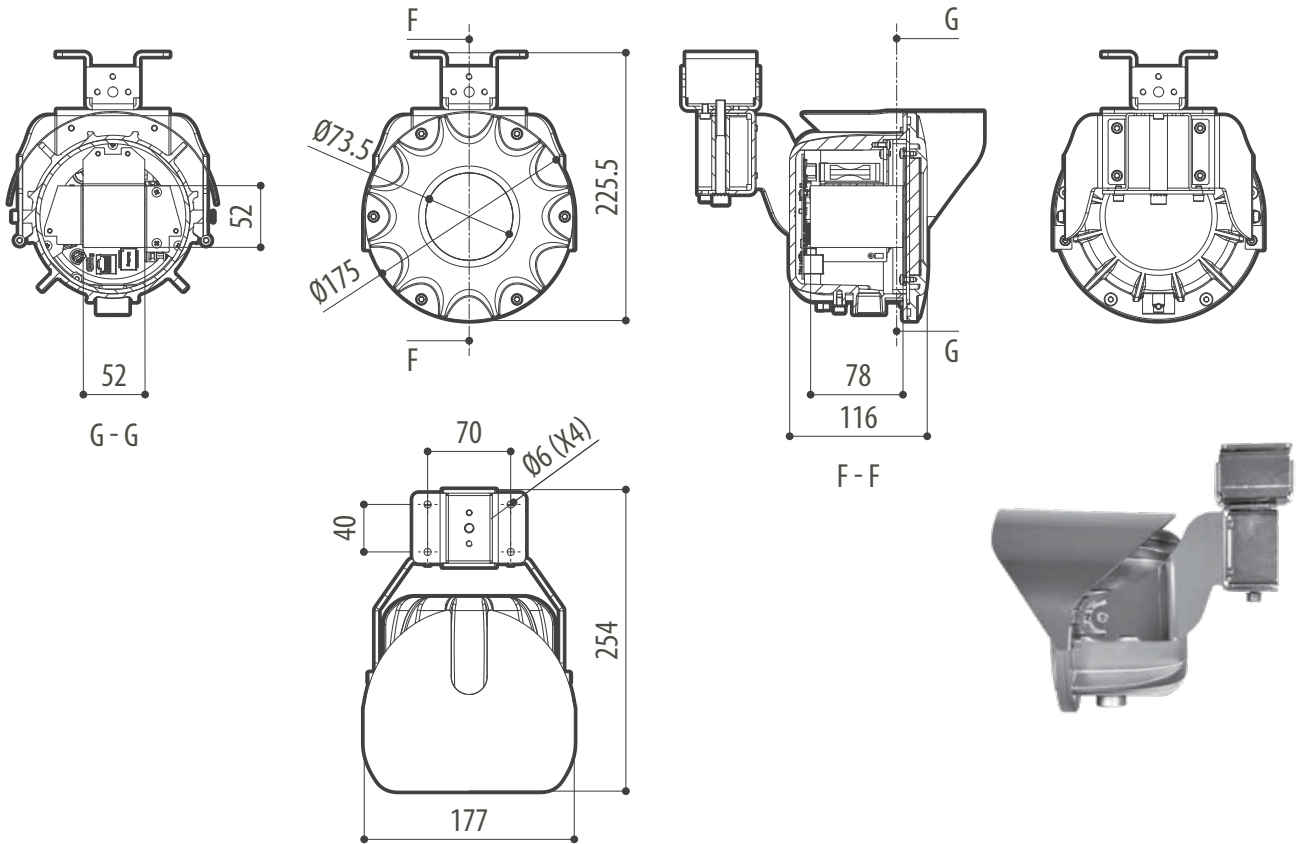
## DIMENSIONS Unit in millimeters

### WALL MOUNTING



# DIMENSIONS (CONT'D) Unit in millimeters

## PARAPET OR CEILING MOUNTING



Systems With Intelligence Inc.  
6889 Rexwood Road, Unit #9  
Mississauga, Ontario, CANADA  
L4V 1R2

Tel: +1-289-562-0126  
Fax: +1-289-562-0152

**General Inquiries:**  
[info@SystemsWithIntelligence.com](mailto:info@SystemsWithIntelligence.com)

**Sales Inquiries:**  
[sales@SystemsWithIntelligence.com](mailto:sales@SystemsWithIntelligence.com)

**Product Support:**  
[support@SystemsWithIntelligence.com](mailto:support@SystemsWithIntelligence.com)

All specifications in this document are subject to change without notice.

© Copyright 2019 Systems With Intelligence Incorporated. All rights reserved.

