



EXIPCAM2001 EXPLOSION PROOF HD CAMERA

FEATURES

- Electropolished AISI 316L stainless steel explosion proof P&T head
- Certifications for use in Zone 1 and 2, Group IIC T6 (Gas), and in Zone 21 and 22, Group IIIC T85° (Dust)
- Full HD 1080p, 10x or 30x, 60fps
- Integrated wiper
- Certified ONVIF, Profile S

KEY BENEFITS

- Durable, low maintenance housing
- Certified for environments with combustible dust and gases
- High quality, high definition video
- Precise zoom control
- Inter-operable with ONVIF certified systems

The EXIPTZ2001 explosion-proof camera delivers high performance video monitoring for refineries, gas pipelines, offshore platforms, industrial processes and other industries where potentially explosive atmospheres may exist.

High quality imaging is made possible by the HD, 1080p, 60fps camera with 10x or 30x optical zoom. The video is transported over an IP based Ethernet network, using H.264/AVC and MJPEG compression and ONVIF Profile S compatibility.

TECHNICAL SPECIFICATIONS

SPECIFICATIONS	
GENERAL	
AISI 316 Stainless Steel	
Passivated and electropolished external surfaces	
Quick configuration and setup	
MECHANICAL	
3/4" NPT hole for cable glands	
12mm thick tempered glass window	
Integrated Wiper	
<ul style="list-style-type: none"> • 8.5kg (18.7lb) (housing with 4m multi-polar cable shield) • 12kg (26.5lb) (housing with 10m multi-polar cable shield) 	
ELECTRICAL	
Input voltage:	
<ul style="list-style-type: none"> • 24Vac, 2.2A, 50/60Hz • 24Vdc, 2.2A • 12Vdc, 3.5A 	
I/O alarm card:	
<ul style="list-style-type: none"> • Alarm inputs: 1 • Relay outputs: 1 (1A, 30Vac/60Vdc max) 	
COMMUNICATION S	
<ul style="list-style-type: none"> • RJ45, 10BASE-T/100BASE-T 	

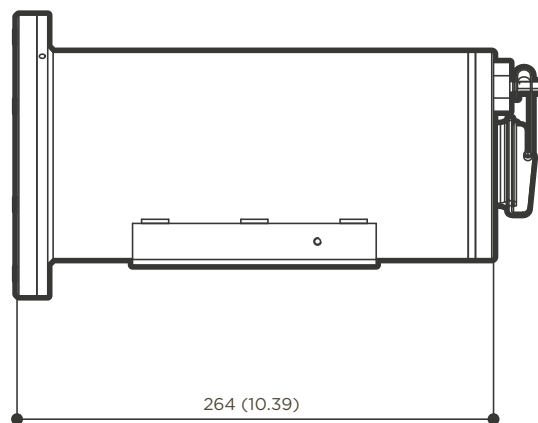
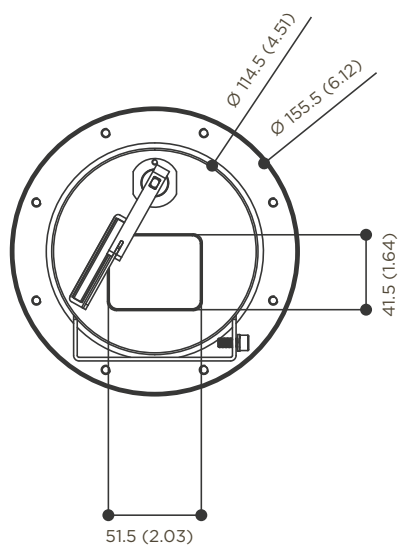
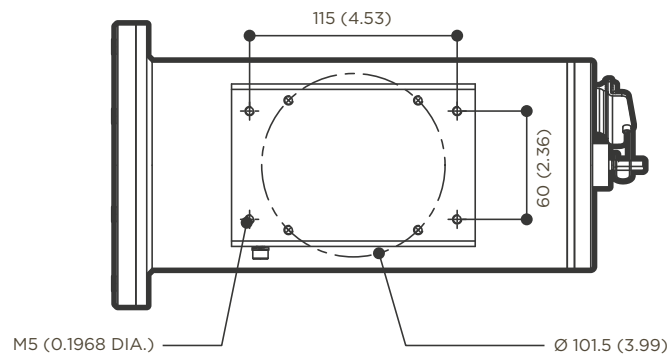
CAMERA	
DAY/NIGHT FULL HD 10X	
Resolution:	Full HD 1080p (1920x1080)
Image Device:	1/2.8 type Exmor™ CMOS sensor
Effective Pixels:	approx. 2.38 Megapixels
Minimum Illumination, colour (ICR-OFF):	<ul style="list-style-type: none"> • 1.4lx, 1/30s, 50 IRE (Normal mode) • 0.35lx, 1/30s, 50 IRE (High sensitivity mode) • 0.19lx, 1/3s, 50 IRE (Normal mode) • 0.05lx, 1/3s, 50 IRE (High sensitivity mode)
Minimum Illumination, B/W (ICR-ON):	<ul style="list-style-type: none"> • 0.05lx, 1/30s, 50 IRE (Normal mode) • 0.013lx, 1/30s, 50 IRE (High sensitivity mode) • 0.002lx, 1/3s, 30 IRE (High sensitivity mode)
Lens:	f=3.8 mm (wide) ~ 38 mm (tele), from F1.8 to F3.4
Zoom:	10x (120x with digital zoom)
Horizontal Viewing Angle:	67° (wide end), 7.6° (tele end)
Minimum object distance:	10mm (wide) ~ 800mm (tele)
Shutter speed:	1/1 to 1/10000 s, 22 steps
White balance:	Auto, ATW, Indoor, Outdoor, Outdoor Auto, Sodium vapor lamp (Fix, Auto, Outdoor Auto), One-push, Manual
Gain:	Auto/Manual (0 step to 28 step, +2 step/total 15 steps), Max. Gain Limit (6 step to 28 step, +2 step/total 12 steps)
Wide Dynamic Range:	On/Off/Visibility enhancer, Light level, Brightness compensation selection, Compensation level
Focus System:	Auto (Sensitivity: Normal, Low), One-push AF, Manual, Focus compensation with ICR On, Interval AF, Zoom trigger AF
Picture Effects:	E-flip, Black & White, Mirror image, Color enhancement, Negative art
Exposure Control:	Auto, EV Compensation, Manual, Priority (Shutter priority, Iris priority), Brightness, Slow AE
S/N Ratio:	more than 50dB
Wide-D (wide dynamic range):	Yes (130dB)
De-fog:	Yes (On/Off)
Backlight Compensation:	Yes

PROTOCOLS
<ul style="list-style-type: none"> • Video compression: H.264/AVC, MJPEG • Two independent video streams • Image resolution: from FullHD to 352x240 in 18 steps • Web Server • Communication protocol: ONVIF, Profile S
ENVIRONMENT
Indoor/Outdoor
Operating temperature:
<ul style="list-style-type: none"> • Cold start from -40°C (-40°F) up to +65°C (149°F) • Running from -50°C (-58°F) up to +65°C (149°F)
Relative humidity: from 10% up to 95% (no condensation)

CERTIFICATIONS
ATEX (EN 60079-0: 2012, EN 60079-1: 2014, EN 60079-31: 2014)
IECEx (IEC 60079-0: 2011 Ed.6, IEC 60079-1: 2014-06 Ed.7, IEC 60079-31: 2013 Ed.2)
INMETRO (ABNT NBR IEC 60079-0:2008 + Errata 1:2011, ABNT NBR IEC 60079-1:2009 + Errata 1:2011, ABNT NBR IEC 60079-31:2011)
EAC Ex (TR CU 012/2011)
ETL listed for USA (UL 60079-0: Ed: 6, UL 60079-1:Ed:6, UL 60079-31: Ed.2), cable tail versions
ETL listed for Canada (C22.2-60079-0:2015, CSA C22.2-60079-1Ed: 2 CSA C22.2-60079-31Ed: 1), cable tail versions
TYPE 6P, TYPE 4X (UL50E)
IP69 (EN/IEC60529), housing only
IP66/IP67/IP68 (2 hours, 5m (16ft), EN/IEC60529)

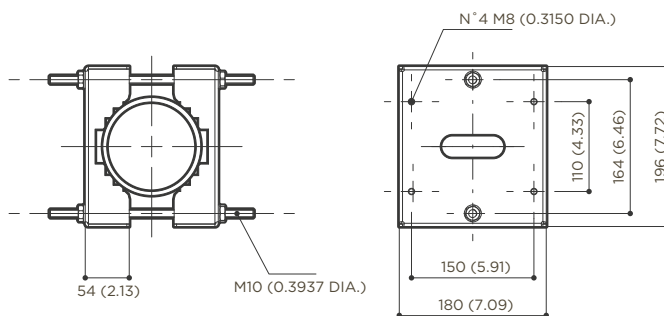
CAMERA	
DAY/NIGHT FULL HD 30X	
Resolution:	Full HD 1080p (1920x1080)
Image Device:	1/2.8 type Exmor™ CMOS sensor
Effective Pixels:	approx. 2.38 Megapixels
Minimum Illumination, colour (ICR-OFF):	<ul style="list-style-type: none"> • 1.4lx, 1/30s, 50 IRE (Normal mode) • 0.35lx, 1/30s, 50 IRE (High sensitivity mode) • 0.19lx, 1/3s, 50 IRE (Normal mode) • 0.05lx, 1/3s, 50 IRE (High sensitivity mode)
Minimum Illumination, B/W (ICR-ON):	<ul style="list-style-type: none"> • 0.05lx, 1/30s, 50 IRE (Normal mode) • 0.013lx, 1/30s, 50 IRE (High sensitivity mode) • 0.002lx, 1/3s, 30 IRE (High sensitivity mode)
Lens:	f=4.3 mm (wide) ~ 129.0 mm (tele), from F1.6 to F4.7
Zoom:	30x (360x with digital zoom)
Horizontal Viewing Angle:	from 63.7° (wide end) up to 2.3° (tele end)
Minimum object distance:	from 10mm (wide) up to 1200mm (tele)
Shutter speed:	1/1 to 1/10000 s, 22 steps
White balance:	Auto, ATW, Indoor, Outdoor, Outdoor Auto, Sodium vapor lamp (Fix, Auto, Outdoor Auto), One-push, Manual
Gain:	Auto, Manual, Gain Limit (from 3dB up to 43dB, steps: 3dB)
Wide Dynamic Range:	On/Off/Visibility enhancer, Light level, Brightness compensation selection, Compensation level
Focus System:	Auto (Sensitivity: Normal, Low), One-push AF, Manual, Focus compensation with ICR On, Interval AF, Zoom trigger AF
Picture Effects:	E-flip, Mirror image, Color enhancement
Exposure Control:	Auto, EV Compensation, Manual, Priority (Shutter priority, Iris priority), Brightness, Slow AE
S/N Ratio:	more than 50dB
Wide-D (wide dynamic range):	Yes (130dB)
De-fog:	Yes (On/Off)
Backlight Compensation:	Yes

OVERALL DIMENSIONS Unit: mm (inches)



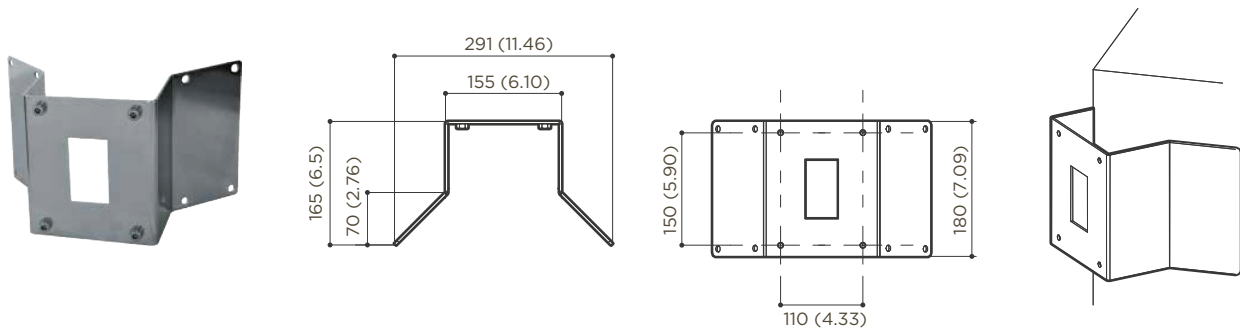
MOUNTING ACCESSORIES Unit: mm (inches)

Pole Mount Adapter



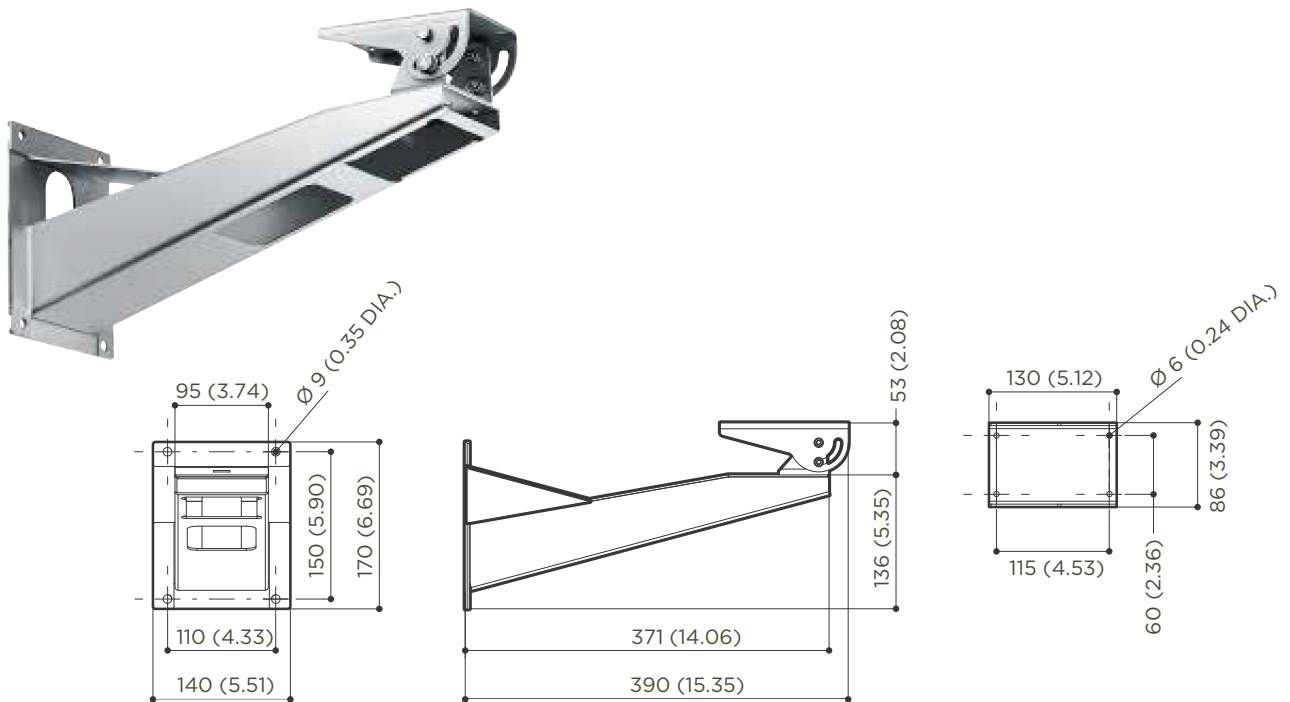
PART #	POLE MOUNT ADAPTER
NXCOL	Made of AISI 316L electropolished stainless steel
	For pole diameters: from 110mm (4.3in) up to 150mm (5.9in)
	Load Rating: 50kg (110lbs)
	Dimensions: 180x196mm (7.0x7.7i)

Corner Mount Adapter



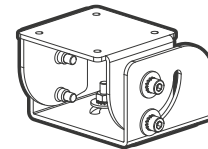
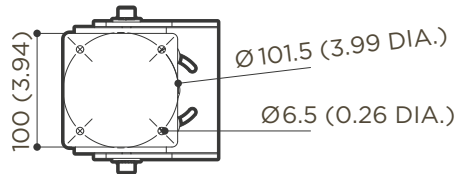
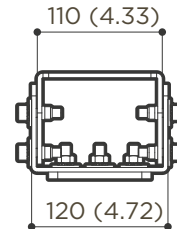
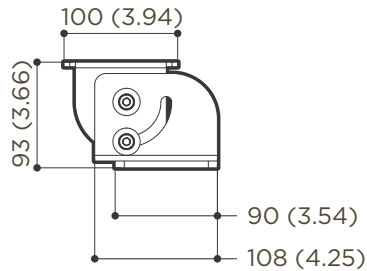
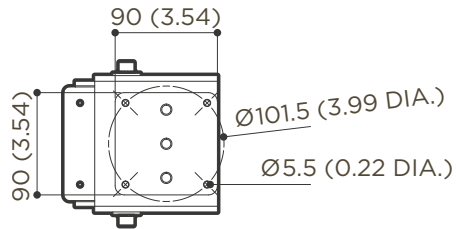
PART #	CORNER MOUNT ADAPTER
NXCW	Made of AISI 316L electropolished stainless steel
	Load Rating: 50kg (110lbs)
	Dimensions: 180x291mm (7x11.5in)

Wall Mount Bracket



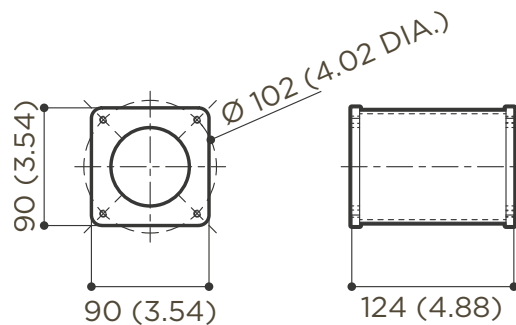
PART #	WALL MOUNT
NXWBS1	Made of AISI 316L electropolished stainless steel
	Load Rating: 45kg (99lb)
	Dimensions: 371x186mm (14.6x7.3in)
	Suitable for: NXCOL, NXCW

Parapet Mounting Bracket



PART #	PARAPET MOUNTING BRACKET
MHXFWCA	Made of AISI 316L electropolished stainless steel
	Load Rating: 40kg (88lb)
	Dimensions: Ø 101.6mm (4in)
	Compatible with the bracket: NXFWBT

Extension Bracket for Parapet Mounting



PART #	PARAPET MOUNTING BRACKET
NXFWBT	Made of AISI 316L electropolished stainless steel
	Load Rating: 70kg (154lb)
	Height: 124mm (4.9in)
	Suitable for MHXFWCA ball joint
	Suitable to MVX housings only if coupled with MHXFWCA joint

CONFIGURATION

SWI PART NUMBER	DESCRIPTION
EXIPCAM2001-24-HD-10x-T5-C4	MVXHD in AISI 316L, 12-24Vdc/24Vac, FullHD camera 1080p, 60fps, H.264/AVC, zoom 10x, autofocus, cable tail 4m (13ft), wiper, sunshield, -50°C/+65°C. **T5
EXIPCAM2001-24-HD-10x-T6-C4	MVXHD in AISI 316L, 12-24Vdc/24Vac, FullHD camera 1080p, 60fps, H.264/AVC, zoom 10x, autofocus, cable tail 4m (13ft), wiper, sunshield, -50°C/+65°C. **T6
EXIPCAM2001-24-HD-10x-T5-C10	MVXHD in AISI 316L, 12-24Vdc/24Vac, FullHD camera 1080p, 60fps, H.264/AVC, zoom 10x, autofocus, cable tail 10m (32ft), wiper, sunshield, -50°C/+65°C. **T5
EXIPCAM2001-24-HD-10x-T6-C10	MVXHD in AISI 316L, 12-24Vdc/24Vac, FullHD camera 1080p, 60fps, H.264/AVC, zoom 10x, autofocus, cable tail 10m (32ft), wiper, sunshield, -50°C/+65°C. **T6
EXIPCAM2001-24-HD-10x-T5-C4A	MVXHD in AISI 316L, 12-24Vdc/24Vac, FullHD camera 1080p, 60fps, H.264/AVC, zoom 10x, autofocus, armored cable 4m (13ft), wiper, sunshield, -60°C/+65°C. *T5
EXIPCAM2001-24-HD-10x-T6-C4A	MVXHD in AISI 316L, 12-24Vdc/24Vac, FullHD camera 1080p, 60fps, H.264/AVC, zoom 10x, autofocus, armored cable 4m (13ft), wiper, sunshield, -60°C/+65°C.
EXIPCAM2001-24-HD-10x-T5-C10A	MVXHD in AISI 316L, 12-24Vdc/24Vac, FullHD camera 1080p, 60fps, H.264/AVC, zoom 10x, autofocus, armored cable 10m (32ft), wiper, sunshield, -60°C/+65°C. *T5
EXIPCAM2001-24-HD-10x-T6-C10A	MVXHD in AISI 316L, 12-24Vdc/24Vac, FullHD camera 1080p, 60fps, H.264/AVC, zoom 10x, autofocus, armored cable 10m (32ft), wiper, sunshield, -60°C/+65°C
EXIPCAM2001-24-HD-30x-T5-C4A	MVXHD in AISI 316L, 12-24Vdc/24Vac, FullHD camera 1080p, 60fps, H.264/AVC, zoom 30x, autofocus, armoured cable 4m (13ft), wiper, sunshield, -60°C/+65°C. *T5
EXIPCAM2001-24-HD-30x-T5-C4	MVXHD in AISI 316L, 12-24Vdc/24Vac, FullHD camera 1080p, 60fps, H.264/AVC, zoom 30x, autofocus, cable tail 4m (13ft), wiper, sunshield, -50°C/+65°C. **T5

ACCESSORIES

SWI PART NUMBER	WASHER PUMP WITH STAINLESS STEEL PRESSURIZED TANK AND INTEGRATED EX-PROOF SOLENOID VALVE
EXA-WASEX2T4AT	Tank 10l with integrated pump controlled by ATEX Ex II 2 GD Exd IIC T4 Gb, Ex tb IIIC T130 °C Db certified solenoid valve, delivery head up to max 20m (66ft), IN 24Vac/dc
EXA-WASEX2T4GOR	Tank 10l with integrated pump controlled by EAC Ex d IIC T4 certified solenoid valve, delivery head up to max 20m (66ft), IN 24Vac/dc
EXA-WASEX2T4IN	Tank 10l with integrated pump controlled by INMETRO Exd IIC T4 Gb IP66, Ex tb IIIC t135 °c Db IP66, certified solenoid valve, delivery head up to max 20m (66ft), IN 24Vac/dc

SWI PART NUMBER	BRACKETS & ADAPTERS
NXWBS1	AISI 316L stainless steel wall bracket with joint
MHXWFWCA	AISI316L stainless steel ball joint
NXFWBT	AISI 316L stainless steel parapet mounting bracket
NXCOL	AISI 316L stainless steel pole adapter module
NXCW	AISI 316L stainless steel corner adapter module

SWI PART NUMBER	CABLE GLANDS FOR EX-PROOF PRODUCTS
EXA-OCTEX3/4C	Cable gland in nickel-plated brass with gasket EX 3/4" NPT, unarmoured cable IECEX-ATEX-EAC. CSA listed for Canada and US
EXA-OCTEXA3/4C	Cable gland in nickel-plated brass with gasket EX 3/4" NPT, armoured cable IECEX-ATEX-EAC. CSA listed for Canada and US
EXA-OCTEXB3/4C	Barrier cable gland in nickel-plated brass 3/4" NPT, unarmoured cable IECEX-ATEX-EAC. CSA listed for Canada and US
EXA-OCTEXBA3/4C	Barrier cable gland in nickel-plated brass 3/4" NPT, armoured cable IECEX-ATEX-EAC. CSA listed for Canada and US
EXA-OCTEX3/4	Cable gland in nickel-plated brass with gasket EX 3/4" NPT, unarmoured cable ATEX
EXA-OCTEXA3/4	Cable gland in nickel-plated brass with gasket EX 3/4" NPT, armoured cable ATEX
EXA-OCTEXB1/2C	Barrier cable gland in nickel-plated brass EX 1/2" NPT, unarmoured cable IECEX-ATEX-EAC. CSA listed for Canada and US
EXA-OCTEX1/2C	Cable gland in nickel-plated brass EX 1/2" NPT, unarmoured cable IECEX-ATEX-EAC with gasket from 3 to 8mm (0,12 to 0.31in)
EXA-OCTEXS1/2C	Cable gland in nickel-plated brass EX 1/2" NPT, unarmoured cable IECEX-ATEX-EAC with gasket from 7.5 to 11.9mm (0,3 to 0,47in)
EXA-OCTEX1/2-3/4C	Cable glands reduction in nickel-plated brass 3/4" - 1/2" NPT IECEX-ATEX-EAC
EXA-OCTEXP3/4C	Conduit cable gland nickel-plated brass 3/4" NPT IECEX-ATEX. CSA listed for Canada and US
EXA-OEXPLUG3/4	Plug EX 3/4" NPT IECEX-ATEX-EAC



Systems With Intelligence Inc.
6889 Rexwood Road, Unit #9
Mississauga, Ontario, CANADA
L4V 1R2

Tel: +1-289-562-0126
Fax: +1-289-562-0152

General Inquiries:

info@SystemsWithIntelligence.com

Sales Inquiries:

sales@SystemsWithIntelligence.com

Product Support:

support@SystemsWithIntelligence.com