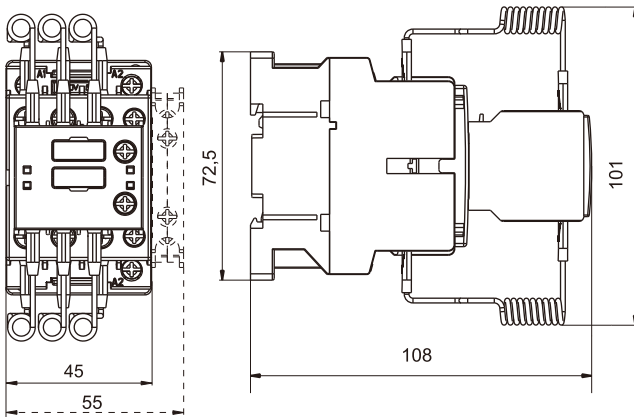


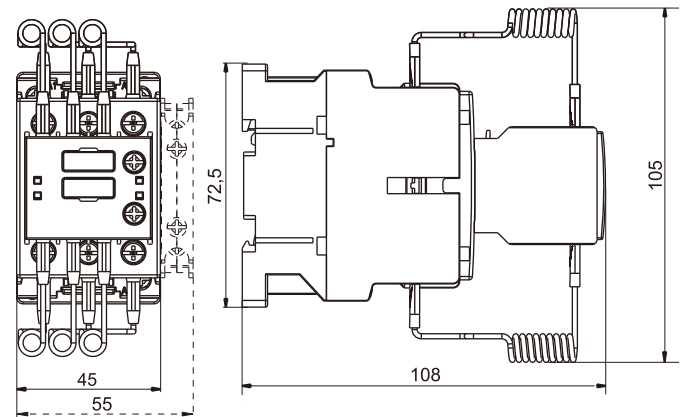
DIMENSION DRAWINGS (mm)



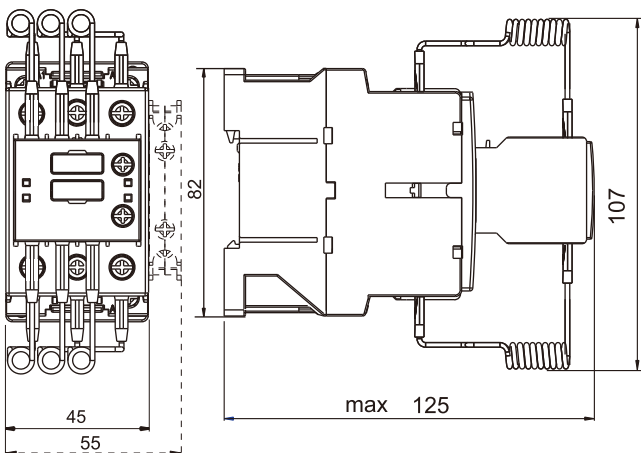
172415010; 172415015



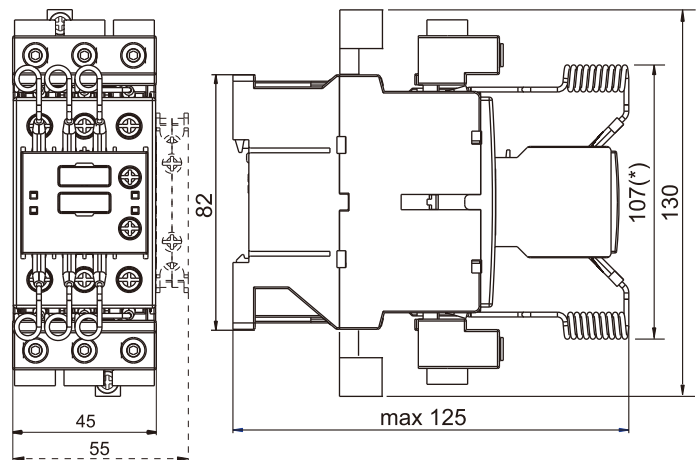
172415020



172415025



172415030



DIMENSION DRAWINGS (mm)



Drilling Plan (mm)

172415040; 172415050; 172415060; 172415075

