

Watt-hour Electromechanic

EM1100

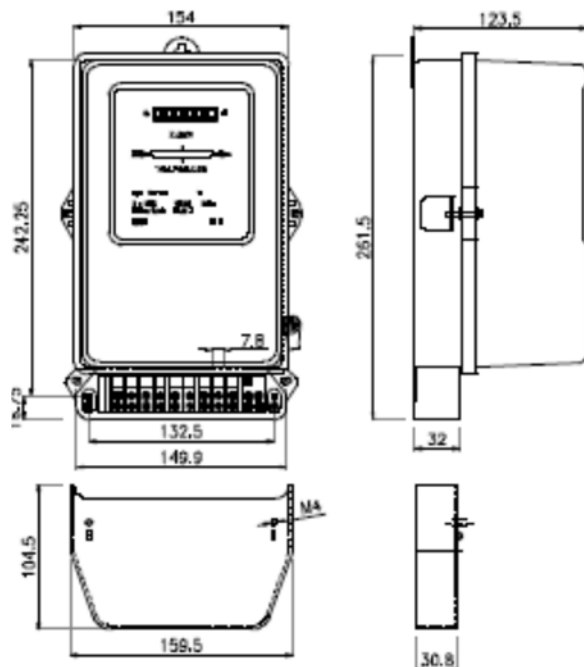
IEC 60051



Specification

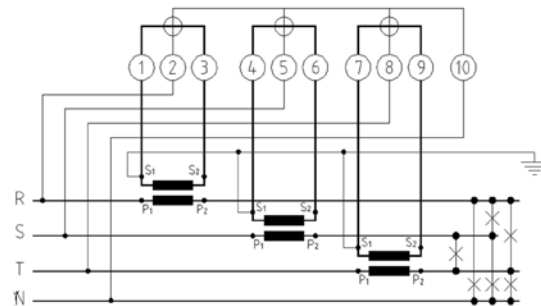
Rated voltage	3 X 220 V/380 V \pm 20%
Frequency	50Hz
Rated current	5A & 5(20)A
Connection	3 phase 4 wire
Accuracy Class	2
Display	6 Digits Mechanical Counter
Burden	Voltage path : 5VA / 4W (max) Current path : 3.44VA / 2.76W (max)
Operating temperature	0° C ... +50° C
Storage temperature	-10° C ... +70° C
Relative humidity	95% (non condensing)
Meter Constant	200 rev/kWh
Weight	3307 gr

Dimension (mm)

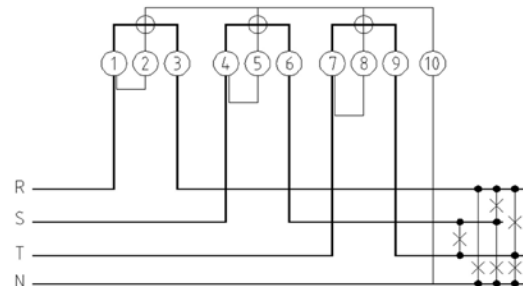


Wiring Diagram

5A (Indirect – with CT connection)



5(20)A (Direct – without CT connection)



Ordering Code

No.	Ordering Code	
	5A (Indirect)	5(20)A (Direct)
1	40900	40901