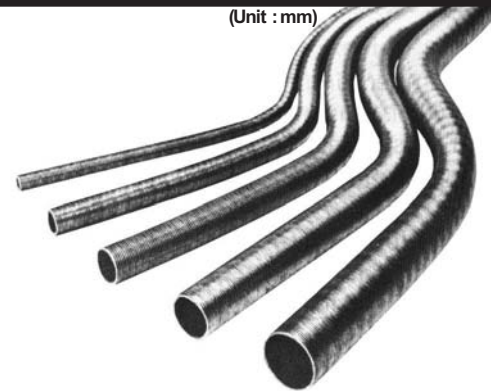


Hi-Flex White

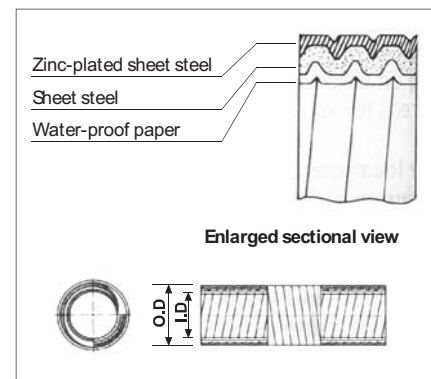
(Unit : mm)



Konstruksi

Hi Flex White adalah Flexible Conduit listrik yang terdiri dari tiga lapisan yaitu: Zinc plate sheet steel, sheet steel dan water-proof paper yang tahan karat dan percikan air. Digunakan pada lokasi yang banyak belokan dan dapat dihubungkan dengan Conduit E type maupun yang type Threaded. (C & G)

Zinc-plated sheet steel
Sheet steel
Water-proof paper



Cat. No.	Size	O.D (mm)	O.D tolerance (mm)	Min. ID (mm)	1 coil length (m)	Weight (kg)		Equivalent Conduit	
						Per coil	Per meter	Thin Steel	Thick Steel
DA117SR	17	21.5	0.2	16.8	50	23.5	0.47	19	16
DA124SR	24	28.8	0.2	23.8	25	17.0	0.68	25	22
DA130SR	30	34.9	0.2	29.3	25	22.0	0.88	31	28
DA138SR	38	42.9	0.4	37.6	15	16.5	1.10	39	36
DA150SR	50	54.9	0.4	49.1	15	22.0	1.47	51	42
DA163SR	63	69.1	0.6	62.6	10	24.0	2.40	63	54
DA176SR	76	82.9	0.6	76.0	10	26.0	2.60	75	70
DA183SR	83	88.1	0.6	81.0	10	27.0	2.70	-	82
DA101SR	101	107.3	0.6	100.4	10	32.0	32.0	-	92.104

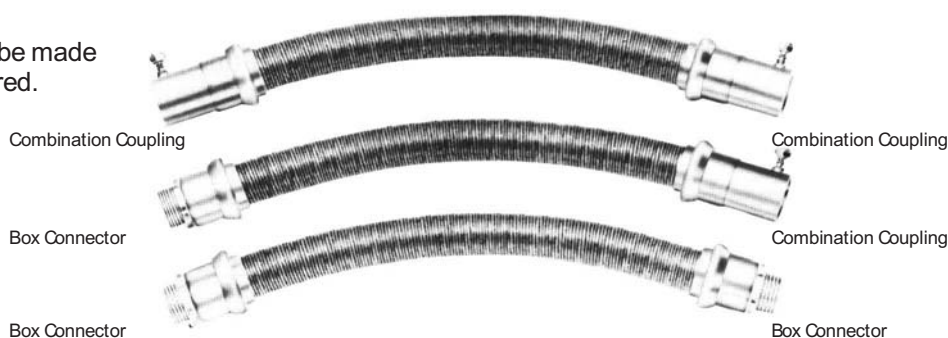
Small coil product

Hi-Flex White in size 17, 24 and 30 are available in convenient small coil of 10-m length.



Made to order

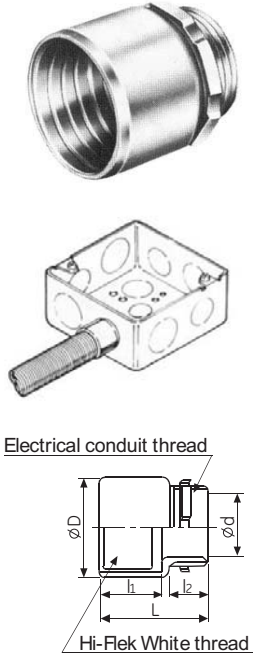
These product can be made to the lengths ordered.



Hi-Flex White fitting

Box Connector

Digunakan untuk menyambung antara Hi-Flex dengan Box.



For Thin steel conduits

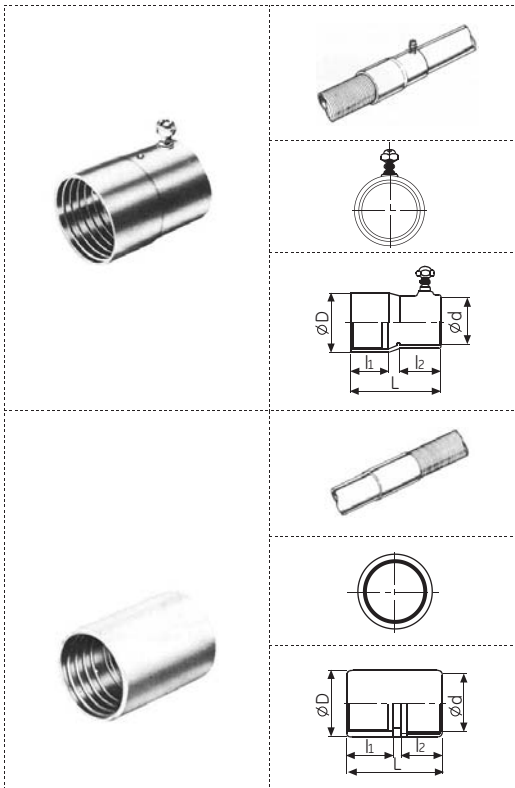
Cat. No.	Size	∅D (mm)	∅d (mm)	L (mm)	l ₁ (mm)	l ₂ (mm)	Weight (kg)	Box content		Equivalent conduit
								Inner	Outer	
DA50171	17	24.7	15	31	25	10	0.038	100	300	19
DA50241	24	31.9	21	35	25	12	0.052	50	200	25
DA50301	30	38.3	27	39	25	14	0.10	50	100	31
DA50381	38	47.1	33	45	30	16	0.18	50	100	39
DA50501	50	59.1	45	45	25	16	0.26	-	50	51
DA50631	63	74.3	56	64	25	18	0.330	-	20	63
DA50761	76	88.1	70	66	30	20	0.385	-	20	75

For Thick steel conduits

Cat. No.	Size	∅D (mm)	∅d (mm)	L (mm)	l ₁ (mm)	l ₂ (mm)	Weight (kg)	Box content		Equivalent conduit
								Inner	Outer	
DA52171	17	25.5	15	34	18	12	0.058	100	300	16
DA52241	24	32.8	21	36	20	12	0.078	100	200	22
DA52301	30	38.9	28	42	22	16	0.120	50	100	28
DA52381	38	48.1	36	46	25	16	0.180	50	100	36
DA52501	50	60.1	42	48	25	18	0.230	-	50	42
DA52631	63	74.3	56	64	35	18	0.390	-	20	54
DA52761	76	88.1	70	64	35	18	0.470	-	20	70
DA52831	83	93.3	81	65	35	20	0.520	-	10	82
DA52921	101	114.3	93	69	40	20	0.700	-	10	92
DA52041	101	114.3	106	69	40	20	0.680	-	10	104

Connection coupling

Digunakan untuk menyambung antara Conduit ke Hi-Flex White



For Thin steel conduits

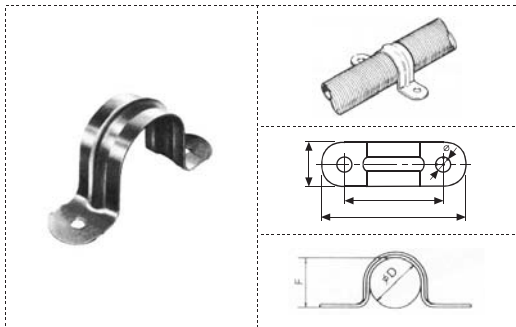
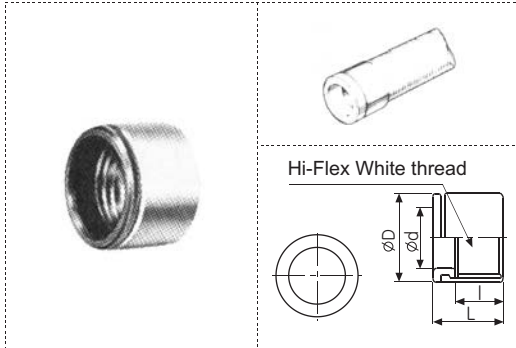
Cat. No.	Size	∅D (mm)	∅d (mm)	L (mm)	l ₁ (mm)	l ₂ (mm)	Weight (kg)	Box content		Equivalent conduit
								Inner	Outer	
DA5117	17	24.5	19.6	45	18	22	0.055	100	300	19
DA5124	24	31.8	25.9	47	20	22	0.080	50	200	25
DA5130	30	37.9	32.3	49	22	22	0.105	50	100	31
DA5138	38	47.1	38.6	57	25	27	0.160	50	100	39
DA5150	50	59.1	51.3	57	25	27	0.230	-	50	51
DA5163	63	73.3	64.2	78	35	35	0.440	-	20	63
DA5176	76	87.1	76.9	78	35	35	0.563	-	20	75

For Thick steel conduits

Cat. No.	Size	∅D (mm)	∅d (mm)	L (mm)	l ₁ (mm)	l ₂ (mm)	Weight (kg)	Box content		Equivalent conduit
								Inner	Outer	
DA5317	17	25.0	19.2	40.0	18	19.0	0.051	100	300	16
DA5324	24	34.0	24.7	40.0	20	22.0	0.084	50	200	22
DA5330	30	40.0	31.0	50.0	22	25.0	0.134	50	100	28
DA5338	38	48.6	39.7	56.0	25	28.0	0.163	-	80	36
DA5350	50	60.3	45.6	56.0	25	28.0	0.308	-	50	42
DA5363	63	76.2	57.6	72.5	35	34.5	0.527	-	20	54
DA5376	76	88.9	73.1	80.5	35	42.5	0.693	-	20	70
DA5383	83	98.0	85.8	85.5	40	42.5	1.100	-	10	82
DA5392	101	114.3	98.3	86.0	40	43.0	2.500	-	10	92
DA5304	101	120.0	111.0	99.0	40	56.0	2.500	-	10	104

Insulated Bushing

Digunakan pada tiap-tiap ujung Hi-Flex White untuk mencegah kerusakan/luka pada kabel saat ditarik melalui Hi-Flex.



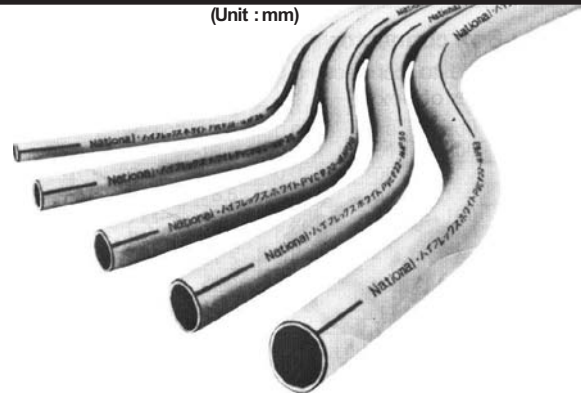
Cat. No.	Size	ØD (mm)	Ød (mm)	L (mm)	l (mm)	Weight (kg)	Box content	
							Inner	Outer
DA3117	17	25.4	16.3	25	16.5	0.023	100	300
DA3124	24	31.8	23.3	26	17.5	0.027	100	200
DA3130	30	38.1	28.8	27	18.5	0.037	50	150
DA3138	38	47.6	37.1	30	19.5	0.066	50	100
DA3150	50	60.5	48.6	31	19.5	0.103	-	100
DA3163	63	76.3	63.0	33	21.5	0.170	-	50
DA3176	76	89.1	77.0	33	21.5	0.184	-	50
DA3183	83	65.1	80.5	36	24.5	0.245	-	50
DA3101	101	114.3	100.0	36	24.5	0.295	-	50

Cat. No.	Size	A (mm)	B (mm)	C (mm)	F (mm)	ØD (mm)	ØE (mm)	Weight (kg)	Box content	
									Inner	Outer
DA3217	17	45	65	20	21.5	19.5	5.0	0.013	100	300
DA3224	24	55	75	20	27.0	25.0	5.0	0.015	100	300
DA3230	30	65	90	25	33.5	31.8	5.5	0.030	50	200
DA3238	38	75	100	25	42.0	40.4	5.5	0.040	50	200
DA3250	50	85	110	25	54.9	53.0	5.5	0.055	50	50
DA3263	63	105	130	25	69.1	67.0	5.5	0.067	-	25
DA3276	76	120	150	30	82.9	80.5	6.5	0.088	-	25
DA3283	83	135	165	35	88.5	86.4	6.5	0.110	-	25
DA3201	101	150	180	35	107.3	105.0	6.5	0.125	-	25

Hi-Flex White PVC

(PVC color C1-10006[Munsell N-6.0])

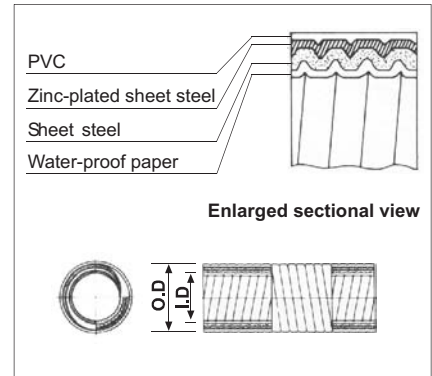
(Unit : mm)



Konstruksi

Hi-Flex White PVC adalah Flexible Conduit listrik yang bagian luarnya dilapisi bahan PVC yang tahan terhadap zat-zat kimia. Hi-Flex White PVC digunakan pada lokasi yang banyak belokan dan hanya dapat dihubungkan dengan Conduit type Threaded.

PVC
Zinc-plated sheet steel
Sheet steel
Water-proof paper



Cat. No.	Size	O.D (mm)	O.D tolerance (mm)	Min. ID (mm)	Coating thickness (mm)	1 Coil lenght (m)	Weight (kg)		Equivalent Conduit Thick steel
							Per coil	Per meter	
DA217SRH	17	23.1	0.2	16.8	0.8	50	30.0	0.60	16
DA224SRH	24	30.4	0.2	23.8	1.0	25	21.0	0.82	22
DA230SRH	30	36.9	0.2	29.3	1.0	25	27.0	1.07	28
DA238SRH	38	44.9	0.4	37.6	1.0	15	21.0	1.36	36
DA250SRH	50	54.9	0.4	49.1	1.2	15	29.0	1.90	42
DA263SRH	63	71.5	0.6	62.6	1.2	10	25.0	2.53	54
DA276SRH	76	85.3	0.6	76.0	1.2	10	30.0	3.00	70
DA283SRH	83	90.5	0.8	81.0	1.2	10	33.5	3.40	82
DA201SRH	101	109.7	0.8	100.4	1.2	10	40.0	4.00	92.104

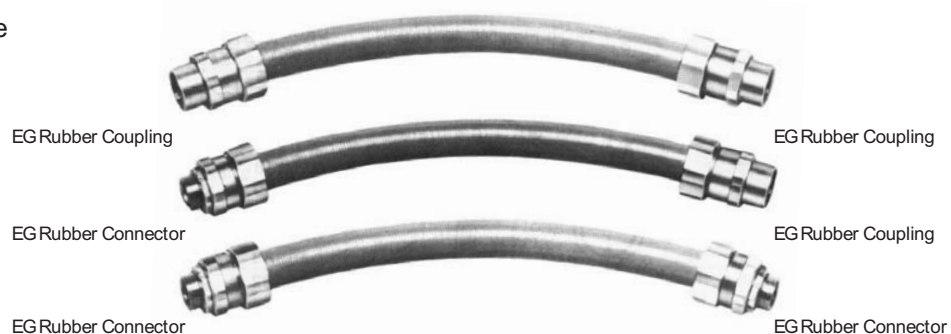
Small coil product

Hi-Flex White PVC in size 17, 24 and 30 are available in convenient small coil of 10-m lenght.



Made to order

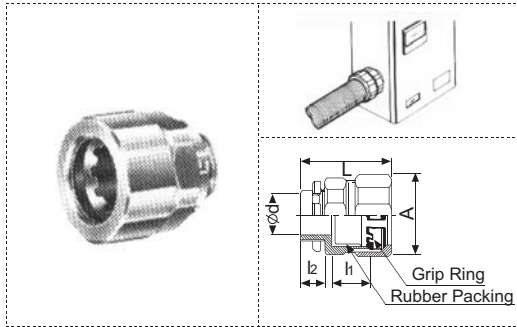
These product can be made to the lenghts ordered.



Hi-Flex White PVC fitting

EG Rubber connector

Digunakan untuk menyambung antara Hi-Flex White PVC dengan Box.

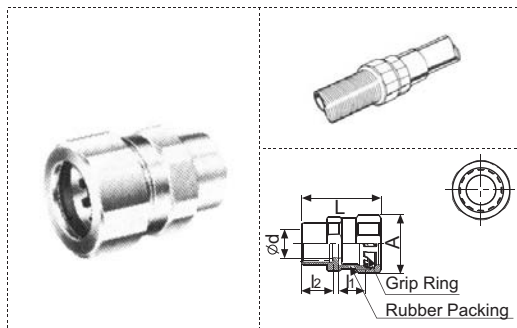


For Thick steel conduits

Cat. No.	Size	A (mm)	L (mm)	l ₁ (mm)	l ₂ (mm)	Ød (mm)	Weight (kg)	Box content	Equivalent conduit
DA417	17	36	44	20	12	15	0.116	30	16
DA424	24	45	49	22.5	12	21	0.175	25	22
DA430	30	50	55	24.5	16	28	0.195	12	28
DA438	38	60	59	28	16	36	0.275	8	36
DA450	50	75	62	28	18	42	0.400	5	42
DA463	63	88	72	38	18	54	0.580	4	54
DA476	76	103	72	38	18	70	0.650	4	70
DA483	83	109	73	38	20	81	0.819	4	82
DA492	92	129	78	43	20	92	1.070	4	92
DA404	104	129	78	43	20	106	1.070	4	104










EG Rubber coupling

Digunakan untuk menyambung antara Hi-Flex White PVC dan Conduit Threaded Type



For Thick steel conduits

Cat. No.	Size	A (mm)	L (mm)	l ₁ (mm)	l ₂ (mm)	Ød (mm)	Weight (kg)	Box content	Equivalent conduit
DA517	17	36	51	20	19	15	0.138	30	16
DA524	24	45	59	22.5	22	21	0.205	25	22
DA530	30	50	64	24.5	25	28	0.225	12	28
DA538	38	60	71	28	28	36	0.308	8	36
DA550	50	75	72	28	28	42	0.610	5	42
DA563	63	88	87	38	33	54	0.910	4	54
DA576	76	103	95	38	41	70	0.980	4	70
DA583	83	109	95	38	41	81	1.110	4	82
DA592	92	129	113	43	54	92	1.575	4	92
DA504	104	129	113	43	54	106	2.087	4	104

		Equivalent conduit; thin steel size	19	25	31	39	51	63	75	15	15
		Equivalent conduit; thick steel size	16	22	28	36	42	54	70	82	92.104
Product type	Hi-Flek White;size		17	24	30	38	50	63	76	83	101
Ordinary type	Hi-Flek White 		DA117	DA124	DA130	DA138	DA150	DA163	DA176	DA183	DA101
	Box Connector 	Thin Steel Use	DA50171	DA50241	DA50301	DA50381	DA50501	DA50631	DA50761	-	-
		Thick Steel Use	DA52171	DA52241	DA52301	DA52381	DA52501	DA52631	DA52761	DA52831	DA52921 DA52041
	Combination coupling 	Thin Steel Use (Without thread)	DA5117	DA5124	DA5130	DA5138	DA5150	DA5163	DA5176	-	-
		Thick Steel Use (Without thread)	DA5317	DA5324	DA5330	DA5338	DA5350	DA5363	DA5376	DA5383	DA5392 DA5304
	Drip-proof type	Hi-Flek White PVC 		DA217	DA224	DA230	DA238	DA250	DA263	DA276	DA283
EG Rubber Connector 		Thin Steel Use	DA417	DA424	DA430	DA438	DA450	DA463	DA476	DA483	DA492 DA404
EG Rubber Coupling 		Thin Steel Use	DA517	DA524	DA530	DA538	DA550	DA563	DA576	DA583	DA592 DA504
Common Accessories	Insulated Bushing 		DA3117	DA3124	DA3130	DA3138	DA3150	DA3163	DA3176	DA3183	DA3101
	Saddle 		DA3217	DA3224	DA3230	DA3238	DA3250	DA3263	DA3276	DA3283	DA3201
Tools	Hi-Flek Knife 		DA0020								