



EPM 6100 - POWER QUALITY METER

Energy and demand submeter with WiFi

1b



Please Call for the Price

KEY BENEFITS

- Flexible WiFi option eliminates the need for expensive wiring
- 0.2% accurate revenue class meter provides highly reliable measurements
- Multifunction capability allows a variety of voltage, current and energy metering measurements
- Direct interface with most building management systems reduces integration costs
- Easy installation reduces set-up time and cost
- Meets ANSI C12.20 (0.2%) and IEC 687 (0.2%) classes

APPLICATIONS

- Allocate energy usage throughout multi-tenant settings, such as industrial and university campuses, office towers, apartment complexes and shopping malls
- Detect power problems early in government, military and airport facilities
- Energy monitoring to increase OEMs efficiency

FEATURES

Metering

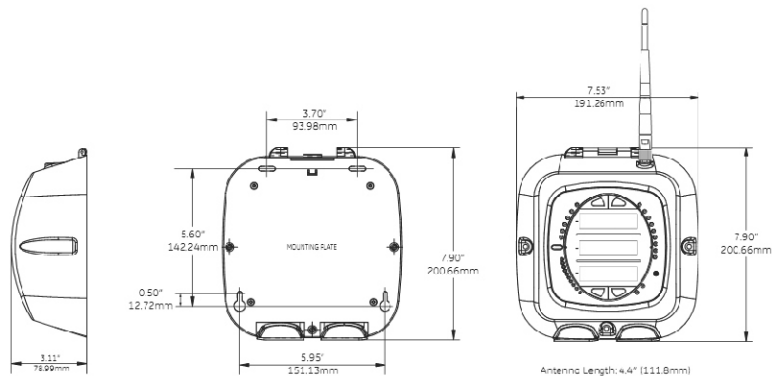
- Ia Ib Ic In
- Va Vb Vc Vab Vbc Vca
- Hz W VAR VA
- Wh VARh Vah
- Demand: W VAR VA
- Total Harmonic Distortion
- Power Factor
- Voltage and Current Angles
- Bright Red LED Display with Three.56" Lines
- % of Load Bar for Analog Meter Perception

Communications

- Standard RS485 Modbus (Modbus RTU or ASCII)
- IrDA Port
- Optional Ethernet 10/100BaseT or WiFi
- Intuitive Faceplate Programming

DIMENSIONS & SHIPPING

- Weight: 4 lbs (1.81 kg)
- H x W x D: 201 mm x 191 mm x 79 mm



ORDERING

PL 6100	*	*	*	*	*	Description
						Standard unit with display all current/voltage/power/frequency/energy counters measurement, % load bar, RS 485 and IRDA parts and one front test pulse output.
Frequency	5					50 Hz AC Frequency System
	6					60 Hz AC Frequency System
Current Inputs		5A				5 Amps
		1A				1 Amp
Software			0			NoTHDOption
			THD			With THD and Limit Alarms
Power Supply				HI		90-400 VAC / 100-370 VDC
I/O Modules					S	Serial Port Communication
					W	WiFi Wireless or LAN Based Ethernet



EPM 7100 - POWER QUALITY METER

Energy and demand submeter with data logging and WiFi

1b



Please Call for the Price

KEY BENEFITS

- Flexible WiFi option eliminates the need for expensive wiring
- 0.2% accurate revenue class meter provides highly reliable measurements
- Extensive data logging and alarm recording allows for predictive maintenance and performance analysis
- Multifunction capability allows a variety of voltage, current and energy metering measurement
- Direct interface with most building management systems reduces integration costs
- Easy installation reduces set-up time and cost
- Meets ANSI C12.20 (0.2%) and IEC 687 (0.2%) classes

APPLICATIONS

- Allocate energy usage throughout multi-tenant settings, such as industrial and university campuses, office towers, apartment complexes and shopping malls
- Detect power problems early in government, military and airport facilities
- Energy monitoring to increase OEMs efficiency

FEATURES

Metering

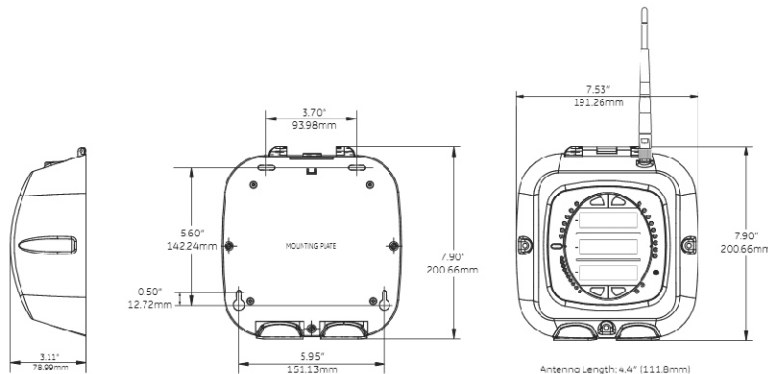
- Ia Ib Ic In
- Va Vb Vc Vab Vbc Vca
- Hz W VAR VA
- Wh VARh Vah
- Demand: W VAR VA
- 2 MB of Data Logging Capacity
- Power Factor
- Voltage and Current Angles
- Bright Red LED Display with Three.56" Lines
- % of Load Bar for Analog Meter Perception

Communications

- Standard RS485 Modbus (Modbus RTU or ASCII)
- IrDA Port
- Optional Ethernet 10/100BaseT or WiFi
- Intuitive Faceplate Programming

DIMENSIONS & SHIPPING

- Weight: 4 lbs (1.81 kg)
- H x W x D: 201 mm x 191 mm x 79 mm



ORDERING

PL 7100	* * * * *	Description
	A1	Standard unit with display all current/voltage/power/frequency/energy counters measurement, % load bar, RS 485 and IRDA communication parts and one front test pulse output. 2 MB of data logging memory.
Frequency	B1	50 Hz AC Frequency System
	5A	60 Hz AC Frequency System
Current Inputs	1A	5 Amps
	B	1 Amp
Software	HI	Multifunction Meter with 2MB Data Logging
Power Supply	S	90-400 VAC / 100-370 VDC
I/O Modules	W	Serial Port Communication
		Wireless or LAN Based Ethernet



EPM 2000 - DIGITAL POWER METER

Economical Multi-fuction Meter

1b



Please Call for the Price

KEY BENEFITS

- Economical meter for Circuit Monitoring of Panels, Main Feeds, Branch Circuits, Gensets & equipment with communications
- Universal operation - 50 / 60 Hz, user programmable for high medium or low voltage circuits
- DIN Standard 96 x 96 mm size for easy installation in new and retrofit Panels
- True RMS measurement more than 40 electrical parameters
- Instant load verification through analog type loadbar

APPLICATIONS

- Continuous metering of electrical loads such as generator panels, feeders, switchgear etc.
- Low and Medium voltage applications
- Provides remote status when used with EnerVista™ suite of software

FEATURES

Monitoring and Metering

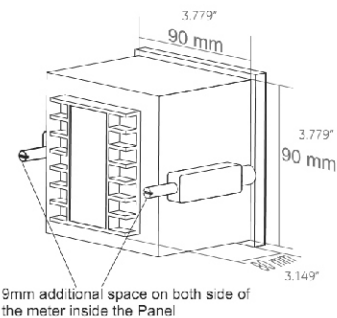
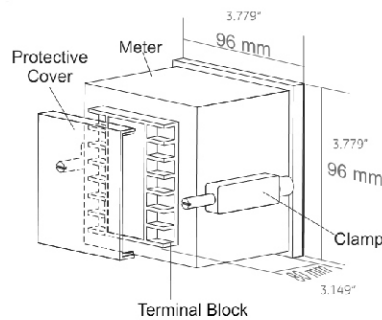
- Measures 3-phase real-time amps, volts, power, energy, power factor and frequency
- Monitors equipment "run hours", "on hours" and interruptions (outages)

Communication

- Brilliant 3 line LED Display
- Auto Scrolling features
- Standard RS-485 Modbus communications

DIMENSION & SHIPPING

- Weight: 0.4 kg. Unpacked
0.5 kg. Shipping
- H x W x D: 96 mm x 96 mm x 8 mm



ORDERING

PL 2000	Description
System Voltage	80 - 270V AC 100 - 270V DC
Input Voltage	48 - 270 VLN 80 - 500 VLL
Communication	Modbus RS 485

EPM 2200 - DIGITAL POWER METER

High accuracy power and energy measurement

1b



Please Call for the Price

KEY BENEFITS

- Economical meter for Circuit Monitoring of Panels, Main Feeds, Branch Circuits, & Gensets
- Ultra compact, easy to install, program and use
- Fits both ANSI and DIN cutout
- Large 3 line .56" bright LED display for better visibility and longer life.
- User programmable for different system voltages and current measurements
- Optional Modbus Communications

APPLICATIONS

- Monitoring & metering of electrical loads such as generator panels, feeders, switchgear etc.
- Low and medium voltage applications

FEATURES

Monitoring and Metering

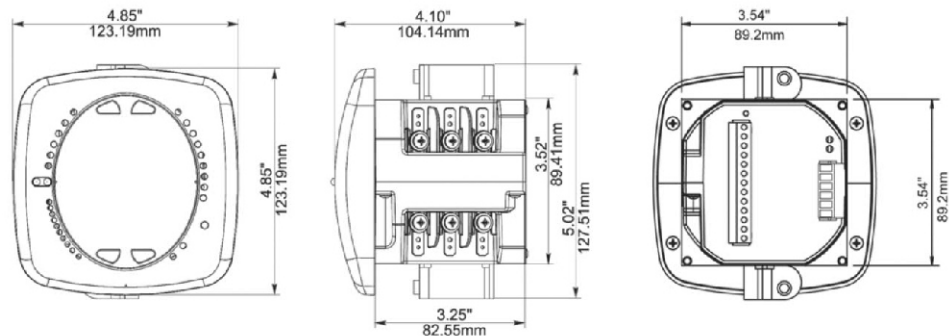
- Future field Upgradeable for added functionality (communications option required)
- 0.5% Accuracy
- Measures 3-phase real-time amps and volts
- Optional support for Power, Energy, Frequency, and Power Factor measurements

Communications

- 3 Line .56" Bright Red LED Display
- Intuitive faceplate programming
- Optional RS485 Modbus up to 57.6K Baud and Pulse output

DIMENSIONS & SHIPPING

- Weight: 2 lbs (0.9 kg)
- H x W x D: 123 mm x 122 mm x 107 mm



ORDERING

PL 2200	*	*	Description
Option	A1		Volts and Amps Meter
	B1		Volts, Amps, Power and Frequency
	C1		Volts, Amps, Power, Frequency and Energy Counters
Communications		X	None
		S	RS485 + Pulse

Example1 - EPM 2200 support Voltage and Current measurement with no communications. PL2200A1X
 Example 2: EPM 2200 support Voltage, Current, Power, and Frequency measurement and Energy counters measurement with RS485 communication. PL2200C1S



EPM 6000 - POWER METER

Continuous metering of three-phase systems

1b



Please Call for the Price

KEY BENEFITS

- High accuracy multifunction power meter
- Superior performance at competitive pricing
- Ultra compact, easy to install, program and use
- 0.2% class revenue certifiable energy and demand metering
- Total harmonic distortion (%THD)
- Fits both ANSI and DIN cutout
- Large 3 line .56" bright LED display for better visibility and longer life
- User programmable for different system voltages and current measurements
- Standard Modbus and DNP communications

APPLICATIONS

- Continuous metering of electrical loads such as generator panels, feeders, switchgear etc.
- Provides remote status when used with EnerVista suite of software
- Low and medium voltage applications
- Replaces multiple analog meters saving space and installation costs

FEATURES

Monitoring and Metering

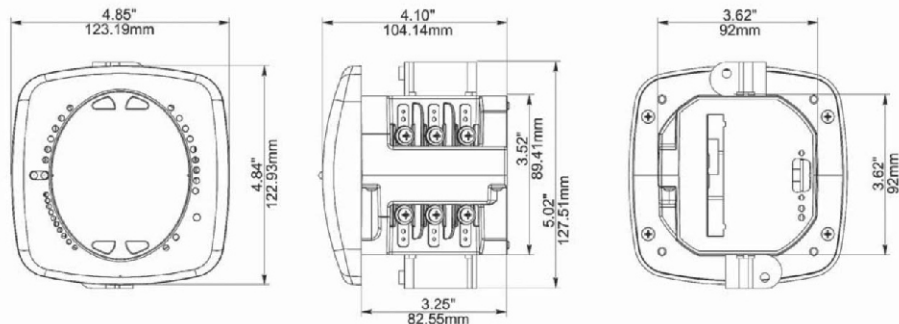
- True RMS multifunction measurements including voltage, current, power, freq., energy, etc.
- Meets ANSI C12.20 (0.2%) and IEC 687 (0.2%) accuracy classes
- Future field upgradeable for added functionality without removing installed meter
- Load percentage graphical bar for instant load visualization

Communication

- RS485 Modbus and DNP 3.0 Protocol up to 57.6K Baud
- 3 Line .56" Bright Red LED Display
- Front IrDA Port laptop communication
- Pulse output for accuracy testing and energy

DIMENSIONS & SHIPPING

- Weight: 2 lbs (0.9 kg)
- H x W x D: 123 mm x 122 mm x 107 mm



ORDERING

PL 6000	*	*	*	Description
	5			Standard unit with display, all current/voltage/power/frequency/energy counters measurement, % load bar, RS 485 and IRDA communication ports and one front test pulse output.
	6			50 Hz AC frequency system
		5A		60 Hz AC frequency system
		1A		5 Amps
			0	1 Amp
			THD	No THD option
				THD, Limit Alarms & one pulse Output

Example - EPM 6000 for 60Hz system with 1 Amp secondary current with THD, Limit Alarms & one additional pulse output. PL600061ATHD

EPM 6010 - BUILDING AUTOMATION POWER METER

BACnet®/IP communications and energy measurement

1b



Please Call for the Price

KEY BENEFITS

- Rapid integration into BACnet management systems
- High accuracy multifunction power meter, 0.2% class revenue certifiable energy and demand metering
- Ultra compact and easy to install, fits both ANSI and DIN cutouts
- EnerVista™ software makes metered data and power quality status easily accessible
- User programmable for different system voltages and current measurements
- Standard Modbus™ TCP communications
- Easy to read, large 3 line, 56" bright LED display for better visibility and longer life

APPLICATIONS

- LED projects
- Smart buildings
- Commercial energy management
- HVAC efficiency monitoring
- Building management systems

FEATURES

Communications

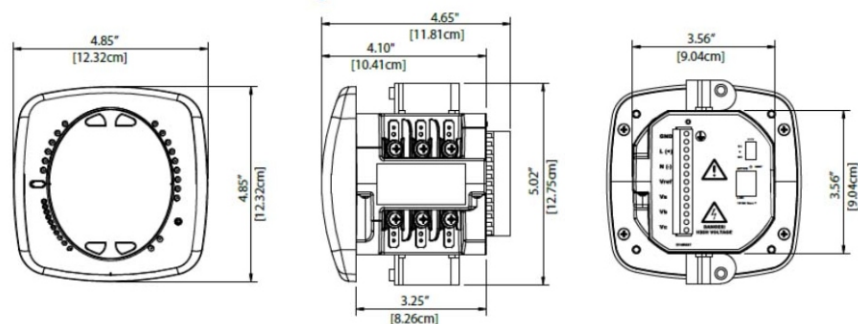
- BACnet/IP100BaseT Ethernet protocol
- 40 pre-defined BACnet objects facilitate rapid integration
- Embedded web-server, allows BACnet/IP interface to be remotely configured and BACnet object scan be remotely view edover the internet with a web browser
- Standard Modbus TCP communications can be used to poll the EPM 6010 while BACnet/IP interface is being used

Measuring and Metering

- High accuracy multifunction power meter, 0.2% class revenue certifiable energy and demand metering
- Samples at 400 + times per cycle and has 24 bit A/D conversion to measure accurately and reliably
- Meets ANSIC 12.20(0.2%) and IEC687 (0.2%) accuracy classes
- Total harmonic distortion (%THD)
- Load percentage graphical bar for instant load visualization
- True RMS multifunction measurements including voltage, current, power, frequency and energy

DIMENSIONS & SHIPPING

- Weight: 2 lbs (0.9 kg)
- H x W x D: 123 mm x 122 mm x 107 mm



ORDERING

PL6010	*	*	*	*	Description
Frequency	6				50Hz-BACnet/ IP Communicating Multimeter
	5				60Hz-BACnet/ IP Communicating Multimeter
Current Inputs		5A			5Amps
		1A			1Amp
Software			THD		THD, Limits Alarms & One KYZ Pulse Output
Power Supply				HI	AC/DC Power Supply (90-265) VAC or (100-370) VDC
				LDC	Low Voltage DC Power Supply (18-60) VDC

Example – EPM 6010 for 60Hz system with 5 Amp secondary and an AC/DC Power supply. PL601065ATHDHI
 EPM 6010 is available without a display as the EPM 6010T. Please see the online store for ordering information.



EPM 7000 - POWER QUALITY METER

Power quality and energy cost management



Please Call for the Price

KEY BENEFITS

- Four Quadrant Energy and Power Measurement, complying with ANSI C12.20 (0.2% Accuracy)
- Analyze power quality over long periods of time to improve network reliability through high resolution event and disturbance recording
- Ideal for monitoring industrial power centers, data centers and hospitals due to high accuracy disturbance recording (up to 512 samples/cycle)
- Retrieve archived data, capture past events and analyze disturbances through high resolution data recording (up to 4MB of datalogging)
- Flexible communication options provide easy to access meter values, simplified configuration and seamless integration into new or existing automation systems

APPLICATIONS

- Four quadrant energy and power monitoring of distribution feeders, transformers, reactors and generators
- Power monitoring of LV and MV industrial power control centers and motor control centers
- Energy monitoring of commercial and distribution utilities

FEATURES

Metering

- Meets ANSI C 12.20 and IEC 687 (0.2% Accuracy)
- Ia Ib Ic In
- Va Vb Vc Vab Vbc Vca
- Hz W VAR VA, Wh VARh VAh
- Demand: W VAR VA
- Power Factor, Voltage and Current Angles, Load Bar

Power Quality

- Harmonics to the 40th order
- Total Harmonic Distortion
- Disturbance Recording and Waveform Capture
- Sag and Swell

Data Logging

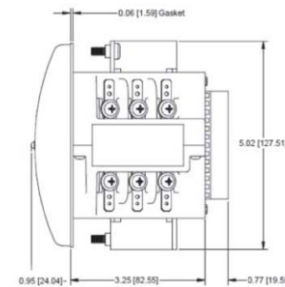
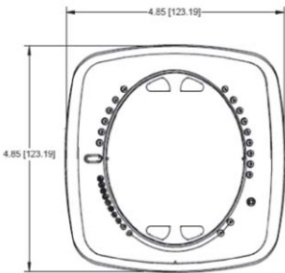
- Up to 4 MB Memory
- Disturbance Recording
- Power Quality Studies
- Load Studies

Communications

- Standard RS485 Modbus (DNP 3.0 and Modbus RTU or ASCII)
- Optional Ethernet 100Base T
- IrDA Port
- Intuitive faceplate programming

Software

- Embedded Web Server
- GE Communicator
- EnerVista™ Integrator
- EnerVista™ Launchpad



DIMENSIONS & SHIPPING

- Weight: 2 lbs (0.9 kg)
- H x W x D: 123 mm x 122 mm x 107 mm

ORDERING

PL7000	*	*	*	*	*	*	Description
							Standard unit with display all current/voltage/power/frequency/energy counters measurement, % load bar, RS 485 and IRDA communication parts and one front test pulse output.
Frequency	6						50 Hz AC frequency system
	5						60 Hz AC frequency system
Current Inputs		5A					5 Amps
		1A					1 Amp
Software			A				Multimeter Function Only
			B				Data Logging Memory. 2 MB of Memory
			C				Power Quality Harmonics. 2 MB of Memory
			D				Limits and Control, 2 MB of Memory
			E				64 Samples/Cycle Waveform Recording, 3 MB of Memory
			F				512 Samples/Cycle Waveform Recording, 4 MB of Memory
Power Supply				HI			90-265VAC/100-370VDC
				LDC			18-60VDC
I/O Module					X	X	None
					E1	E1	100BaseT Ethernet*
					C1	C1	Four Channel Bi-directional 0-1mA Outputs
					C20	C20	Four Channel 4-20mA Outputs
					RS1	RS1	Two Relay status Outputs / Two Status Inputs
					PS1	PS1	Four Pulse Outputs / Four Status Inputs
					F1	F1	Fiber Optic Interface with ST terminations
					F2	F2	Fiber Optic Interface with Versatile Terminations

EPM 7000 is available without a display as the EPM 7000T. Please see the online store for ordering information.

* Only one E1 module may be used in the EPM7000

EPM 9000/9450/9650 - POWER QUALITY METER

High performance power meter and data acquisition node

1b



Please Call for the Price

KEY BENEFITS

- High-performance power quality and revenue class metering for critical power applications
- EN50160 flicker with up to 512 waveform samples per cycle and high-speed transient recording for complete power quality monitoring
- Fast response time to power quality events for diagnostics and maintenance
- Built-in GPS clock sync capability for accurate time stamping of events and alarms for complete synchronized system monitoring
- Exceeds ANSI C-12 and IEC 687 specifications for accuracy with auto calibration using temperature compensation
- Software and hardware triggers record waveform events. This allows the unit to be used for fault analysis, system apparatus monitoring and many other applications
- Records THD to the 255th order peak. Real-time harmonic magnitudes analysis to the 128th order for every channel. This advanced harmonic recording capability has been traditionally available only in high-end power quality recorders
- Real time phasor analyzer monitors phase angles between the voltage and the currents
- Communication option of 10/100 BaseT ethernet with Modbus/TCP
- Expandable output modules

APPLICATIONS

- Revenue class metering and load aggregation for energy management
- Transformer loss compensation
- High-performance power quality monitoring of critical loads

FEATURES

Protection and Control

- Fully programmable set-points for alarms and 90 millisecond relay activation for high-speed update & control
- Expandable external outputs for control

Communications

- On-board ethernet and web server capability
- High-speed RS-485 and RS-232 Com Ports
- Multiple protocols including Modbus and DNP 3.0 level 2
- Built-in modem with dial-out capability
- 8 built-in High-Speed Digital Inputs
- Multiple analog, digital, and relay outputs
- Web Server & Gateway

Monitoring and Metering

- Current, voltage, real and reactive power, energy use, cost of power, power factor and frequency
- Laboratory grade 0.04% Watt-Hour accuracy
- Flicker and waveform recording
- Real-time PQ monitoring and harmonic analysis to 255th order

DIMENSIONS & SHIPPING

- Weight: 12 lbs (5.4kg)
- H x W x D: 406 mm x 330 mm x 279 mm

ORDERING

EPM 9450 - High performance power meter & data acquisition node					
PL9450	*	*	*	A * 0 0 0 0	Description
Frequency	0				60 Hz
	1				50 Hz
System Voltage		A			120/208 volts connection
		B			277/480 volts connection
Control Power		0			90-276 volts AC/DC power supply
		1	A		18-60 volts DC power supply
Features Options					Basic unit with 512 K memory, 8 digital inputs, 8 cycle of waveform (up to 512 samples/cycle), 100 days data log.
Communications				A	4 communication port
				1	User-selectable RS 485 Modbus and DNP - no modem or Ethernet connection
				2	TCP/IP Ethernet connection with web server and gateway capability
					Internal 56k modem connection with pass-through port



ORDERING

EPM 9650 - High performance power meter & data acquisition node with memory							
PL9650	*	*	*	A	*	0 0 0 0	Description
Frequency	0						60 Hz
	1						50 Hz
System Voltage		A					120/208 volts connection
		B					277/480 volts connection
Control Power			0				90-276 volts AC/DC power supply
			1				18-60 volts DC power supply
Features Options				A			Advance unit includes basic unit, with 2 Meg memory, Up to 162 days of data logging, up to 64 cycles of waveform recording
				B			Flicker includes advance unit plus Flicker with 4 Meg memory, 66 days of data logging
Communications					A		4 Communication port
						1	User-selectable RS 485 Modbus and DNP - no modem or Ethernet connection TCP/IP Ethernet connection with web server and gateway capability
						2	Internal 56k modem connection with pass-through port

Accessories							
PL9000	*	*	*	*	*	0 0	Analog Output Modules
	1	M	A	O	N	4 O	4 Channel 0-1mA Analog Outputs
	1	M	A	O	N	8 O	8 Channel 0-1mA Analog Outputs
	2	O	M	A	O	N 4	4 Channel 4-20mA Analog Outputs
	2	O	M	A	O	N 8	8 Channel 4-20mA Analog Outputs
PL9000	*	*	*	*	*	0 0	Analog Output Modules
	8	A	I	1	0	0 0 0 0	4 Channel 0-1mA Analog Outputs
	8	A	I	2	0	0 0 0 0	8 Channel 0-20mA Analog Inputs
	8	A	I	3	0	0 0 0 0	8 Channel 0-5VDC Analog Inputs
	8	A	I	4	0	0 0 0 0	8 Channel 0-10VDC Analog Inputs
PL9000	*	*	*	*	0 0 0 0	0 0	Analog Output Modules
	4	R	O	1			4 Channel Control Relay Outputs
	4	P	O	1			4 Channel kyz Solid State Pulse Outputs
PL9000	*	*	*	*	0 0 0 0	0 0	Analog Output Modules
	8	D	I	1	0	0 0 0 0	8 Channel Digital Status Inputs
PL9000		M	B	I	O	0 0 0 0	Auxiliary Mounting Bracket (One set per module group)
PL9000		P	S	I	O	0 0 0 0	Auxiliary Power Supply (For more than 4 modules)
PL9000	*	*	*	*	*	*	9000 Series Meter Display Module
	P	4	0	N	P	L U S 0	Threeline LED Display
	P	6	0	N	0	0 0 0 0	Touch-Screen LCD Display with 6-ft cable
	P	6	0	N	1	0 0 0 0	Touch-Screen LCD Display with 15-ft cable
PL9000	*	*	*	*	0 0 0 0	0 0	9000 Series Meter Software
	N	C	M	1			Communicator Software, Single User License
	N	C	M	5			Communicator Software, Five User License
	N	C	M	S			Communicator Software, MultipleUser, SingleSite License

1b

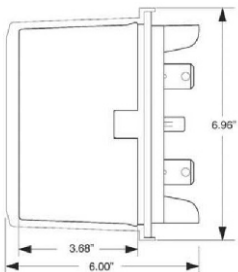
EPM 9800 - POWER QUALITY METER

Power Quality Meter

Precision measurement, advanced communication, advanced PQ and alarm reporting, economical recording meter



Please Call for the Price



KEY BENEFITS

- Socket type mounting design with advanced power quality recording and EN50160 Flicker compliance monitoring
- Revenue class .06% Watt/Hr metering with 20 years time of use calendar
- Comprehensive logging & recording capability
- Auto-calibration and temperature change compensation
- Advanced DNP 3.0 implementation
- High speed waveform recording with programmable 16 to 512 samples per cycle resolution
- Extensive harmonics capability provides a real-time harmonic analysis to the 128th order for every channel. Records THD to the 255th order peak
- Real time phasor analyzer monitors phase angles between the voltage and the currents
- Multiple communication option with 10/100BaseT ethernet and web capability for data viewing over the web
- Up to 256 expandable digital and analog I/O modules for analysis and control

APPLICATIONS

- Advanced power quality monitoring
- Revenue class energy and power billing with .06% accuracy
- Control of external devices using I/Os
- Alarm and event notification over the web, email, pager or telephone

FEATURES

- **Monitoring and Metering**
- True RMS real-time power and energy parameters reporting
- 4 quadrant, high accuracy revenue metering
- Automatic dial-out for remote data downloads, dial-In during outage notification
- Comprehensive events and alarms recording using GPS synchronized time stamps.
- Historical logs for energy, power events and alarms.
- Flicker and waveform recording
- Real-time PQ monitoring and analysis

Communications

- RS 485 communication ports
- Optical port
- Internal ethernet TCP/IP
- Built-in dial-in and dial-out telephone modems
- DNP 3.0 level 2 plus, Modbus RTU and Modbus ASCII protocols
- Multiple analog, digital and relay inputs/outputs
- Programmable LCD display screen

DIMENSIONS & SHIPPING

- Weight: Socket: 8 Lbs (2.62kg)
- H x W x D: 254 mm x 279 mm x 330 mm
- Switchboard: 14 lbs (6.35kg)

ORDERING

EPM 9800	*	*	*	*	*	*	Description
PL9800							LCD Graphical Display, 2 RS 485 Serial Communication Ports (Modbus & DNP) 8 Internal Digital Inputs, 4 KYZ Pulse Outputs, IR Port, IIRIG-B Synchronization Port Flicker and Waveform Detection and Logging
Frequency	6 5						60 Hz 50 Hz
Power Supply		S E D L					Blade Powered - 102 to 550 VAC Auto Ranging External - 102 - 275 VAC/DC Auto Ranging External - 18 - 60 VDC Auto Ranging Blade Powered - 69 VAC
Form			9S 36S 45S 9A SB				Rated Voltage 0-277 V L-N - 3E, 4W Wye Hook-up Rated Voltage 0-277 V L-N - 2.5E, 4W Wye w/ Neutral Rated Voltage 0-480 V L-L - 2E, 3W, Delta Rated Voltage 0-277 V L-N - A Base Form Switchboard - Available with "Power Supply" E and D Only
Logging Options				A S			Standard -218 days of data logging, 63 Waveform Record, 1536 Flicker Log, 1024 System Events Advance -688 days of data logging, 95 Waveform Record, 5120 Flicker Log, 1024 System Events
Communications					R W M C		Standard 2 RS485 serial communications ports (Modbus & DNP) Web - Standard with Internal 10/100 Base with Web Server and Ethernet Connection Modem - Standard with Internal 56k Dial Out Modem Combination - Standard Modem with Ethernet Gateway & Web
Class Amps						2 20	2 Amps 20 Amps



PQM II - POWER QUALITY METER

Continuous metering of three-phase systems

1b



Please Call for the Price

KEY BENEFITS

- Power quality metering with waveform capture and historical data logging
- Easy to program and use with keypad and large illuminated 40 character display
- Multiple communication ports for integration with
 - DCS and SCADA systems
 - Supports DNP 3.0 and Modbus protocols
 - Digital and analog I/Os for control and alarms
 - Voltage disturbance recording capability for electrical sag and swell events.

APPLICATIONS

- Metering of distribution feeders, transformers, generators, capacitor banks and motors
- Commercial, industrial, utility
- Flexible control for demand load shedding, power factor, etc.

FEATURES

Protection and control

- Load shedding
- Power factor control
- Pulse input totalizing

Monitoring and Metering

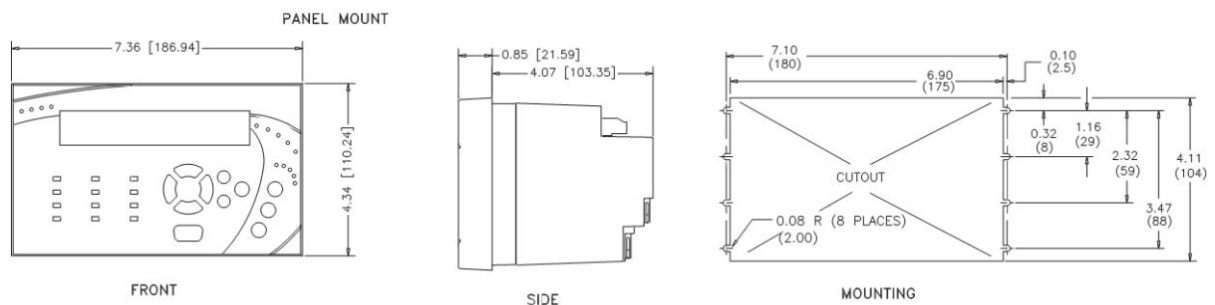
- Ia Ib Ic In
- Va Vb Vc Vab Vbc Vca
- V I unbalance
- True PF crest and K factor
- Hz W var VA
- Wh varh VAh W cost
- Demand: A W var VA
- Harmonic analysis through 63rd with THD and TIF
- Event recorder - 150 events
- Waveform capture
- Data logger -98,000 events
- Voltage Disturbance Recorder (VDR) -500 events

Communication

- Front RS232 serial port (1,200 to 19,200 bps)
- Two rear RS485 serial ports with ModBus and DNP 3.0 protocol
- Ethernet connectivity provided by MultiNet
- EnerVista™ software is provided for setup and monitoring functions
- External dial-in modem capabilities

DIMENSIONS & SHIPPING

- Weight: Socket: 5 lbs
- H x W x D: 215 mm x 152 mm x 152 mm



ORDERING

	PQM II	*	*	*	Description
Basic Unit	PQM II				Basic unit with display, all current/voltage/power measurements, 1-RS485 comm port, 1 RS232 comm port
Tranducer Option		T20			Tranducer option; 4 isolated analog outputs 0 – 20 mA and 4 – 20 mA, assignable to all measured parameters, 4 – 20 mA analog input, 2nd RS485 comm port
		T1			Tranducer option; 4 isolated analog outputs 0 – 1 mA, assignable to all measured parameters, 4 – 20 mA analog input, 2nd RS485 comm port
Control Option			C		Control option; 3 additional programmable output relays (total of 4), 4-programmable switch inputs
Power Analysis Option				A	Power analysis option; harmonic analysis, triggered trace memory waveform capture, event record, data logger, voltage disturbance recorder (VDR)

* The voltage disturbance recorder is only available with the 25 MHz processor.

Case