



## EXIPTZ2000 EXPLOSION PROOF PTZ CAMERA

### FEATURES

- Electropolished AISI 316L stainless steel explosion proof P&T head
- Certifications for use in Zone 1 and 2, Group IIC T6 (Gas), and in Zone 21 and 22, Group IIIC T85° (Dust)
- Full HD 1080p, 30x, 60fps
- 30x zoom (360x with digital zoom)
- Certified ONVIF, Profile S

### KEY BENEFITS

- Durable, low maintenance housing
- Certified for environments with combustible dust and gases
- High quality, high definition video
- Precise zoom and positioning control
- Inter-operable with ONVIF certified systems

The EXIPTZ2000 explosion-proof PTZ camera delivers high performance video monitoring for refineries, gas pipelines, offshore platforms, industrial processes and other industries where potentially explosive atmospheres may exist.

The camera has an integrated inspection box which simplifies the wiring and installation of the unit.

High quality imaging is made possible by the HD, 1080p, 60fps camera with 30x optical zoom. The video is transported over an IP based Ethernet network, using H.264/AVC and MJPEG compression and ONVIF Profile S compatibility.

# TECHNICAL SPECIFICATIONS

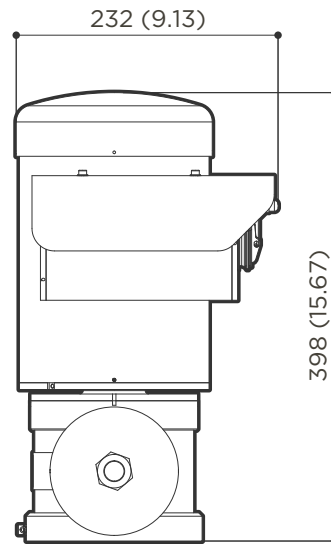
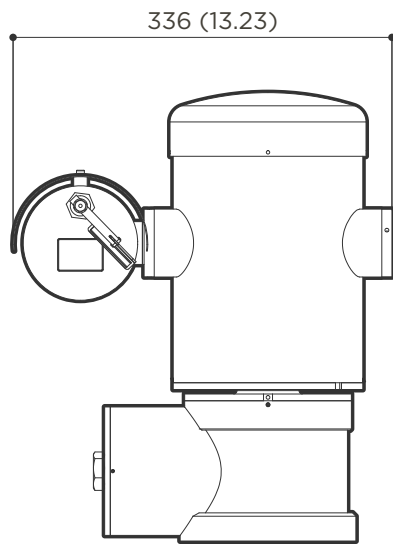
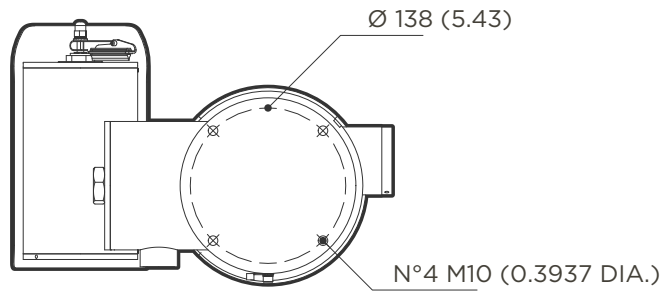
SPECIFICATIONS	
<b>GENERAL</b>	
AISI 316 Stainless Steel	
Passivated and electropolished external surfaces	
Quick configuration and setup	
Dynamic positioning control system	
<b>MECHANICAL</b>	
1 3/4" NPT hole for cable glands	
Zero backlash	
Horizontal rotation: 360° continuous	
Vertical rotation: -90° to +90°	
Horizontal speed (variable): from 0.1° to 100°/s	
Tilt speed (variable) : from 0.1° to 100°	
Preset accuracy: 0.02°	
12mm thick tempered glass window	
Integrated Wiper	
Unit weight: 27kg (60lb)	
<b>ELECTRICAL</b>	
Input voltage:	
<ul style="list-style-type: none"> <li>• 230Vac, 50/60Hz, 120W max</li> <li>• 24Vac, 50/60Hz, 120W max</li> <li>• 120Vac, 50/60Hz, 120W max</li> </ul>	
I/O alarm card:	
<ul style="list-style-type: none"> <li>• Alarm inputs: 1</li> <li>• Relay outputs: 1 (1A, 30Vac/60Vdc max)</li> </ul>	
<b>COMMUNICATION S</b>	
<ul style="list-style-type: none"> <li>• RJ45, 10BASE-T/100BASE-T</li> </ul>	

PROTOCOLS
<ul style="list-style-type: none"> <li>• Video compression: H.264/AVC, MJPEG</li> <li>• Two independent video streams</li> <li>• Image resolution: from FullHD to 352x240 in 18 steps</li> <li>• Web Server</li> <li>• Communication protocol: ONVIF, Profile S</li> </ul>
ENVIRONMENT
Indoor/Outdoor
Operating temperature -40°C (-40°F)/+60°C(+140°F)
Relative humidity: from 10% up to 95% (no condensation)

CERTIFICATIONS
ATEX (EN 60079-0: 2012+A11: 2013, EN 60079-1: 2007, EN 60079-31: 2009): <ul style="list-style-type: none"> <li>• Ex II 2 G Ex d IIC T6 Gb Ta -40°C to +60°C</li> <li>• Ex II 2 D Ex tb IIIC T85°C Db Ta -40°C to +60°C</li> <li>• IP66</li> </ul>
IECEx (IEC 60079-0: 2011, IEC 60079-1: 2007-04, IEC 60079-31: 2008): <ul style="list-style-type: none"> <li>• Ex d IIC T6 Gb Ta -40°C to +60°C</li> <li>• Ex tb IIIC T85°C Db Ta -40°C to +60°C</li> <li>• IP66</li> </ul>
UL listed for USA (only for 24VAC version): <ul style="list-style-type: none"> <li>• Class I, Zone 1, AEx d IIC T6</li> <li>• Zone 21, AEx tb IIIC T85°C</li> <li>• Class I, Division 2, Groups A, B, C, and D</li> <li>• Class II, Division 2, Groups F and G</li> </ul>
UL listed for Canada (only for 24VAC version): <ul style="list-style-type: none"> <li>• Class I, Zone 1, Ex d IIC T6 Gb</li> <li>• Class II, Groups E, F and G</li> <li>• Class I, Division 2, Groups A, B, C, and D</li> <li>• Class II, Division 2, Groups F and G</li> </ul>

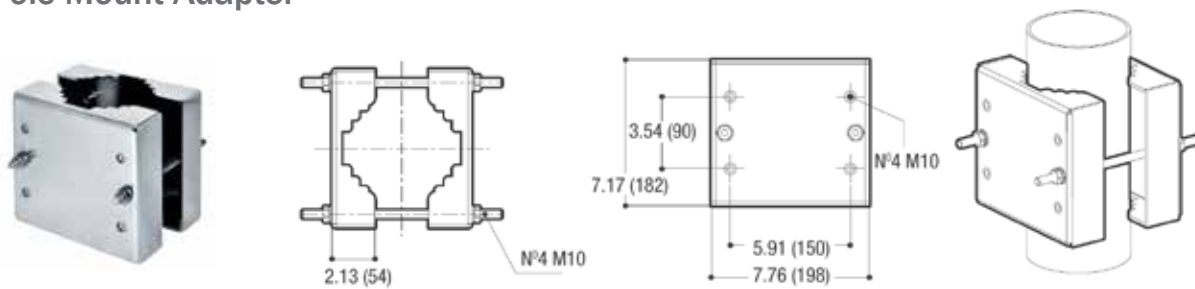
CAMERA	
<b>DAY/NIGHT FULL HD 30X</b>	
Image Device:	1/2.8 type Exmor™ CMOS sensor
Effective Pixels:	Approx. 2.38 Megapixels
Minimum Illumination: Color (ICR-OFF): <ul style="list-style-type: none"> <li>• 1.4lx, 1/30s, 50 IRE (Normal mode)</li> <li>• 0.35lx, 1/30s, 50 IRE (High sensitivity mode)</li> <li>• 0.19lx, 1/3s, 50 IRE (Normal mode)</li> <li>• 0.05lx, 1/3s, 50 IRE (High sensitivity mode)</li> </ul>	
Minimum Illumination: B/W (ICR-ON): <ul style="list-style-type: none"> <li>• 0.05lx, 1/30s, 50 IRE (Normal mode)</li> <li>• 0.013lx, 1/30s, 50 IRE (High sensitivity mode)</li> <li>• 0.002lx, 1/3s, 30 IRE (High sensitivity mode)</li> </ul>	
Lens:	f=4.3 mm (wide) ~ 129.0 mm (tele), from F1.6 to F4.7
Zoom:	30x (360x with digital zoom)
Horizontal Viewing Angle:	from 63.7° (wide end) up to 2.3° (tele end)
Minimum object distance:	from 10mm (wide) up to 1200mm (tele)
Electronic Shutter:	1/1 to 1/10000 s, 22 steps
White balance:	Auto, ATW, Indoor, Outdoor, Outdoor Auto, Sodium vapor lamp (Fix, Auto, Outdoor Auto), One-push, Manual
Gain:	Auto, Manual, Gain Limit (from 3dB up to 43dB, steps: 3dB)
Wide Dynamic Range:	On/Off/Visibility enhancer, Light level, Brightness compensation selection, Compensation level
Focus System: Auto (Sensitivity):	Normal, Low), One-push AF, Manual, Focus compensation with ICR On, Interval AF, Zoom trigger AF
Picture Effects:	E-flip, Mirror image, Color enhancement
Exposure Control:	Auto, EV Compensation, Manual, Priority (Shutter priority, Iris priority), Brightness, Slow AE
S/N Ratio:	more than 50dB
Wide-D (wide dynamic range):	130dB
De-fog:	On/Off

# OVERALL DIMENSIONS Unit: mm (inches)



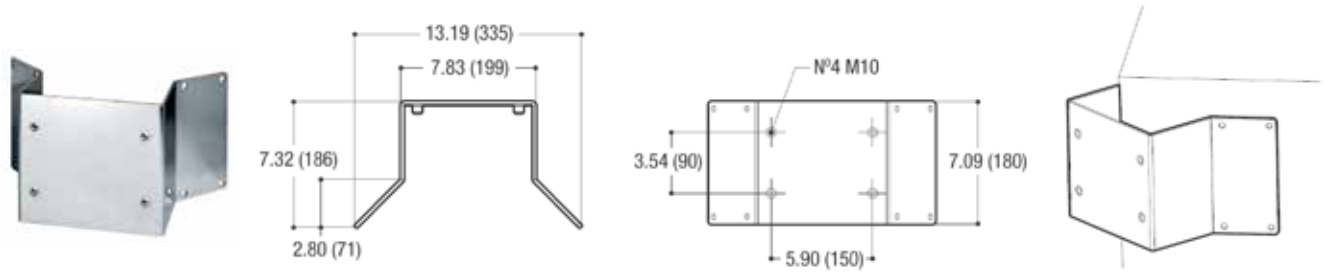
# MOUNTING ACCESSORIES Unit: inch (mm)

## Pole Mount Adapter



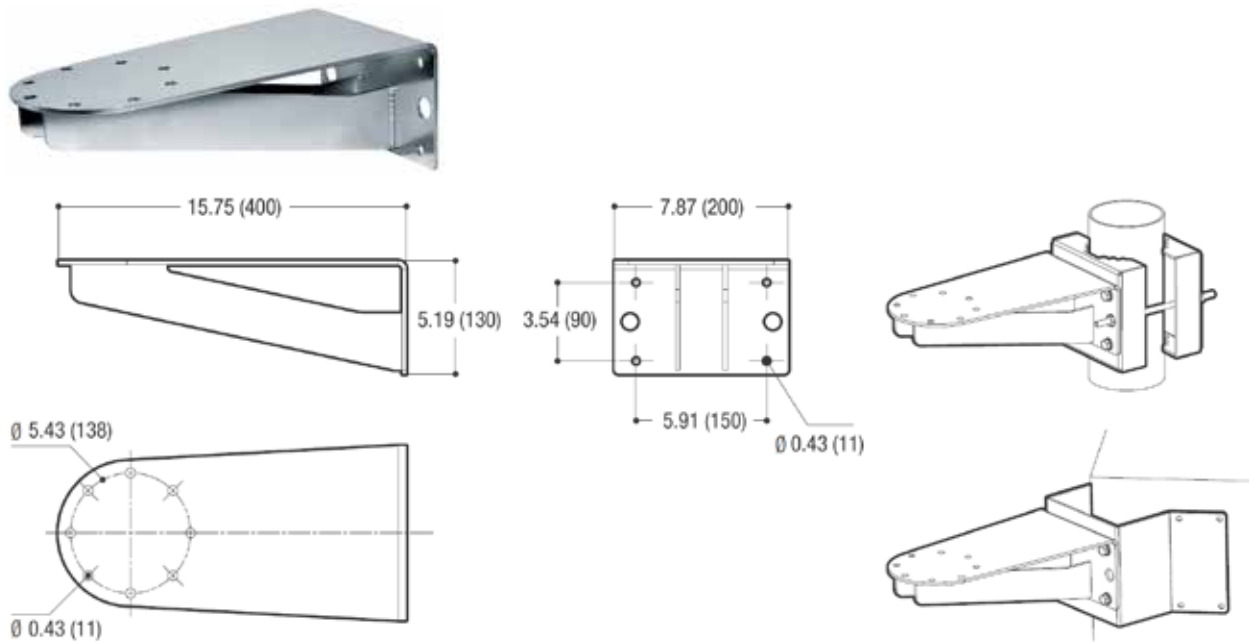
PART #	POLE MOUNT ADAPTER
EXA - MPXCOL	Made of AISI 316L electropolished stainless steel
	For pole diameters: 110-150mm (4.3 - 5.9in)
	Load Rating: 50kg (110lbs)
	Package Weight: 4.9kg (10.8lbs)
	Package Dimensions: 24x15x21.5cm (9.4x6x8.5in)

## Corner Mount Adapter



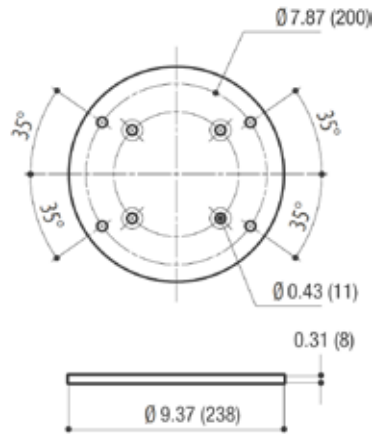
PART #	CORNER MOUNT ADAPTER
EXA - MPXCW	Made of AISI 316L electropolished stainless steel
	Load Rating: 50kg (110lbs)
	Package Weight: 4.8kg (10.6lbs)
	Package Dimensions: 36.5x25.5x26cm (14.4x10x10.2in)

## Wall Mount



PART #	WALL MOUNT
EXA - MPXWBA	Made of AISI 316L electropolished stainless steel
	Load Rating: 40kg (88lbs)
	Package Weight: 6.5kg (14.3lbs)
	Package Dimensions: 58x34x22cm (23x13.4x8.7in)

## Ceiling or Parapet Mount




PART #	CEILING OR PARAPET MOUNT
EXA - MPXWBTA	Made of AISI 316L electropolished stainless steel
	Load Rating: 40kg (88lbs)
	Package Weight: 3.2kg (7.1lbs)
	Package Dimensions: 33x27x6.5cm (13x11x2.4in)

## CONFIGURATION



BASE UNIT	Description
EXIPTZ2000	IP Enabled Explosion Proof PTZ
POWER SUPPLY	
024	24Vac, 50/60Hz, 120W max
120	120Vac, 50/60Hz, 120W max
230	230Vac, 50/60Hz, 120W max
CAMERA	
30X	Day/Night camera 30X optical zoom lens

## CONFIGURATION

EXIPCAM		EXPLOSION PROOF, STAINLESS STEEL, HIGH-DEFINITION PTZ CAMERA WITH 30X ZOOM
		
SWI PART NUMBER	DESCRIPTION	
EXIPTZ2000-230-HD-30X	MPXHD in AISI 316L, 230Vac, Day/Night camera FullHD 30x, H.264/AVC, wiper. *	
EXIPTZ2000-24-HD-30X	MPXHD in AISI 316L, 24Vac, Day/Night camera FullHD 30x, H.264/AVC, wiper. *, **	
EXIPTZ2000-120-HD-30X	MPXHD in AISI 316L, 120Vac, Day/Night camera FullHD 30x, H.264/AVC, wiper.*	

CERTIFICATIONS
* ATEX Ex II 2 G Ex d IIC T6 Gb Ta -40°C to +60°C Ex II 2 D Ex tb IIIC T85°C Db Ta -40°C to +60°C IP66. IECEx Ex d IIC T6 Gb Ta -40°C to +60°C Ex tb IIIC T85°C Db Ta -40°C to +60°C IP66. EAC Ex Ex d IIC T6 Gb X, Ex tb IIIC T85 Db X. INMETRO Ex d IIC T6 Gb -40°C ≤ Ta ≤ +60°C, Ex tb IIIC T85°C Db -40°C ≤ Ta ≤ +60°C IP66. KCs Ex d IIC T6, Ex tb IIIC T85°C -40°C ≤ Ta ≤ +60°C
** Model powered in 24VAC additionally to the above certifications are: UL listed for USA Class I, Zone 1, AEx d IIC T6; Zone 21, AEx tb IIIC T85°C, UL listed for Canada Class I, Zone 1, Ex d IIC T6 Gb; Class II, Groups E, F and G.

## ACCESSORIES

SWI PART NUMBER	WASHER PUMP WITH STAINLESS STEEL PRESSURIZED TANK AND INTEGRATED EX-PROOF SOLENOID VALVE
EXA-WASEX2T4AT	Tank 10l with integrated pump controlled by ATEX Ex II 2 GD Exd IIC T4 Gb, Ex tb IIIC T130°C Db certified solenoid valve, delivery head up to max 20m (66ft), IN 24Vac/dc
EXA-WASEX2T4GOR	Tank 10l with integrated pump controlled by EAC Ex d IIC T4 certified solenoid valve, delivery head up to max 20m (66ft), IN 24Vac/dc
EXA-WASEX2T4IN	Tank 10l with integrated pump controlled by INMETRO Exd IIC T4 Gb IP66, Ex tb IIIC t135°C Db IP66, certified solenoid valve, delivery head up to max 20m (66ft), IN 24Vac/dc

SWI PART NUMBER	WASHER PUMP WITH STAINLESS STEEL PRESSURIZED TANK AND INTEGRATED EX-PROOF SOLENOID VALVE
EXA-MPXCABL4	Cabling for MPX/MPXT, 4m (157.5in) (unarmored cable and barrier cable gland): 2 Ethernet cables, 3 power supply wires, 2 coaxial video cables, 15 wires for alarms, relays and telemetry
EXA-MPXCABL10	Cabling for MPX/MPXT, 10m (394in) (unarmored cable and barrier cable gland): 2 Ethernet cables, 3 power supply wires, 2 coaxial video cables, 15 wires for alarms, relay and telemetry
EXA-MPXCABLARM4	Cabling for MPX/MPXHD, 4m (157.5in) (armoured cable and barrier cable gland): 1 Ethernet cable, 3 power supply wires, 1 coaxial video cable, 7 wires for alarms, relay and telemetry
EXA-MPXCABLARM10	Cabling for MPX/MPXT, 10m (394in) (unarmored cable and barrier cable gland): 2 Ethernet cables, 3 power supply wires, 2 coaxial video cables, 15 wires for alarms, relay and telemetry

## ACCESSORIES (CONT'D)



SWI PART NUMBER	BRACKETS & ADAPTERS
EXA-MPXWBA	Wall mount bracket
EXA-MPXCOL	Pole mount adaptor
EXA-MPXWBTA	Parapet or ceiling mounting bracket
EXA-MPXCW	Corner mount adaptor

SWI PART NUMBER	CABLE GLANDS FOR EX-PROOF PRODUCTS
EXA-OCTEX3/4C	Cable gland in nickel-plated brass with gasket EX 3/4" NPT, unarmoured cable IECEX-ATEX-EAC. CSA listed for Canada and US
EXA-OCTEXA3/4C	Cable gland in nickel-plated brass with gasket EX 3/4" NPT, armoured cable IECEX-ATEX-EAC. CSA listed for Canada and US
EXA-OCTEXB3/4C	Barrier cable gland in nickel-plated brass 3/4" NPT, unarmoured cable IECEX-ATEX-EAC. CSA listed for Canada and US
EXA-OCTEXBA3/4C	Barrier cable gland in nickel-plated brass 3/4" NPT, armoured cable IECEX-ATEX-EAC. CSA listed for Canada and US
EXA-OCTEX3/4	Cable gland in nickel-plated brass with gasket EX 3/4" NPT, unarmoured cable ATEX
EXA-OCTEXA3/4	Cable gland in nickel-plated brass with gasket EX 3/4" NPT, armoured cable ATEX
EXA-OCTEXB1/2C	Barrier cable gland in nickel-plated brass EX 1/2" NPT, unarmoured cable IECEX-ATEX-EAC. CSA listed for Canada and US
EXA-OCTEX1/2C	Cable gland in nickel-plated brass EX 1/2" NPT, unarmoured cable IECEX-ATEX-EAC with gasket from 3 to 8mm (0,12 to 0,31in)
EXA-OCTEXS1/2C	Cable gland in nickel-plated brass EX 1/2" NPT, unarmoured cable IECEX-ATEX-EAC with gasket from 7.5 to 11.9mm (0,3 to 0,47in)
EXA-OCTEX1/2-3/4C	Cable glands reduction in nickel-plated brass 3/4" - 1/2" NPT IECEX-ATEX-EAC
EXA-OCTEXP3/4C	Conduit cable gland nickel-plated brass 3/4" NPT IECEX-ATEX. CSA listed for Canada and US
EXA-OEXPLUG3/4	Plug EX 3/4" NPT IECEX-ATEX-EAC



Systems With Intelligence Inc.  
6889 Rexwood Road, Unit #9  
Mississauga, Ontario, CANADA  
L4V 1R2

Tel: +1-289-562-0126  
Fax: +1-289-562-0152

**General Inquiries:**

[info@SystemsWithIntelligence.com](mailto:info@SystemsWithIntelligence.com)

**Sales Inquiries:**

[sales@SystemsWithIntelligence.com](mailto:sales@SystemsWithIntelligence.com)

**Product Support:**

[support@SystemsWithIntelligence.com](mailto:support@SystemsWithIntelligence.com)